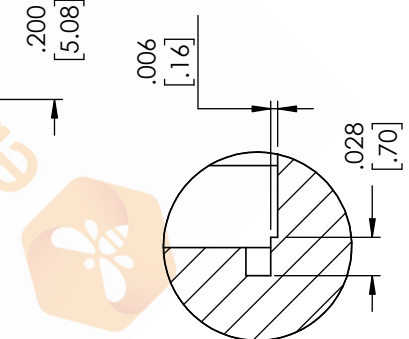
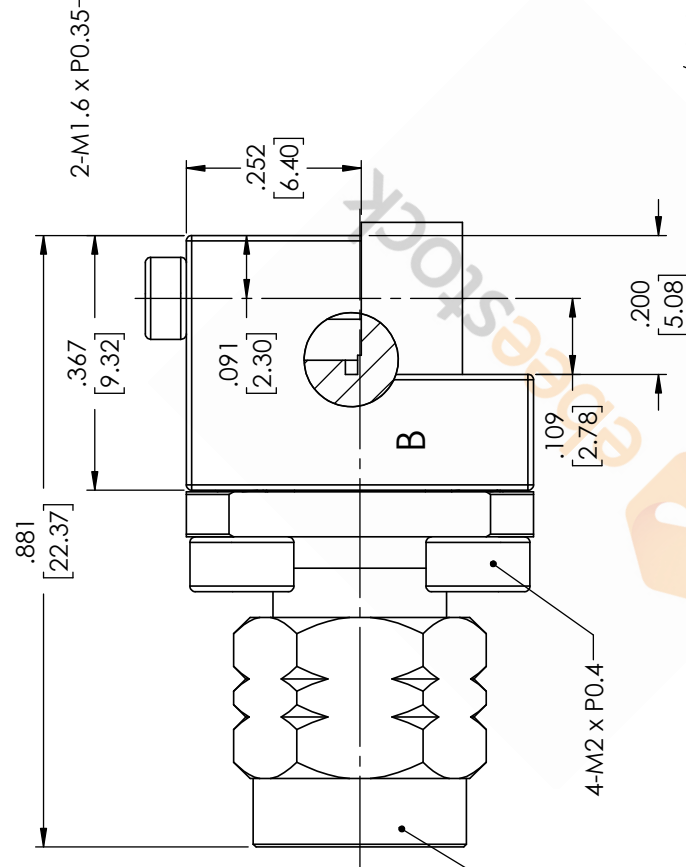
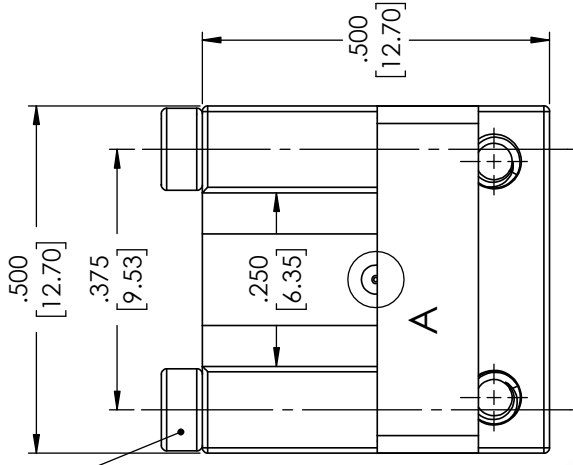
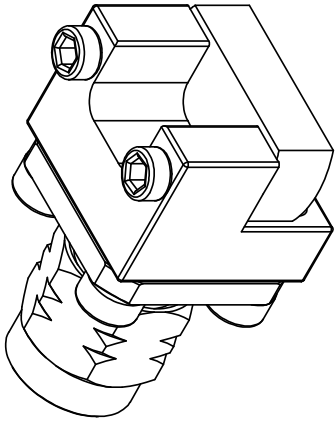
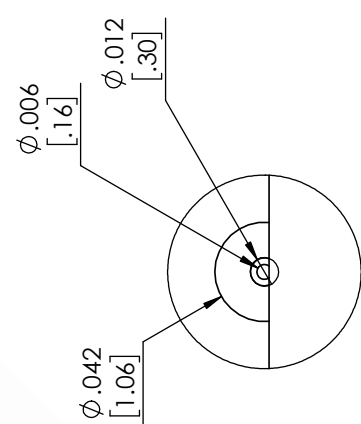


1.85mm Male Connector Clamp/Solder (Captive Contact)
Attachment End Launch PCB, Removable End Launch, Standard Profile



DETAIL B
CENTER CONDUCTOR



DETAIL A

STANDARD TOLERANCES	
.X	± 0.2
.XX	± 0.01
.XXX	± 0.005

*STANDARD TOLERANCES APPLY ONLY TO DIMENSIONS IN INCHES

2-M1.6 x P0.35

4-M2 x P0.4

1.85mm Plug

DWG TITLE <h1>ET9804</h1>		CAD FILE 09/12/18 SCALE N/A		SIZE A CN2245
8TH FLOOR, BUILDING 1, YONGFU SCIENCE AND TECHNOLOGY CENTER INDUSTRIAL PARK, NANZHA DISTRICT 5, HUMEN, 523900, DONGGUAN, GUANGDONG, CHINA WEBSITE: www.ebeestock.com EMAIL: sales@ebeestock.com		NOTES: 1. UNLESS OTHERWISE SPECIFIED ALL DIMENSIONS ARE NOMINAL. 2. ALL SPECIFICATIONS ARE SUBJECT TO CHANGE WITHOUT NOTICE AT ANY TIME. 3. DIMENSIONS ARE IN INCHES [mm].		
		CAGE CODE 53919		