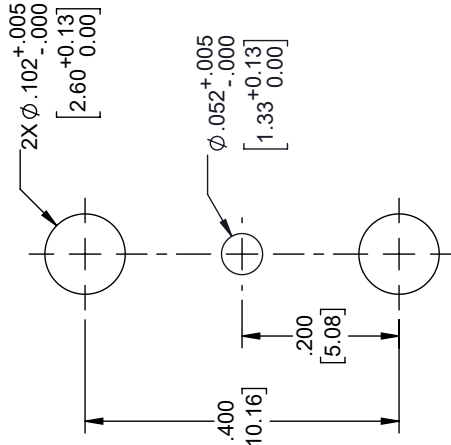
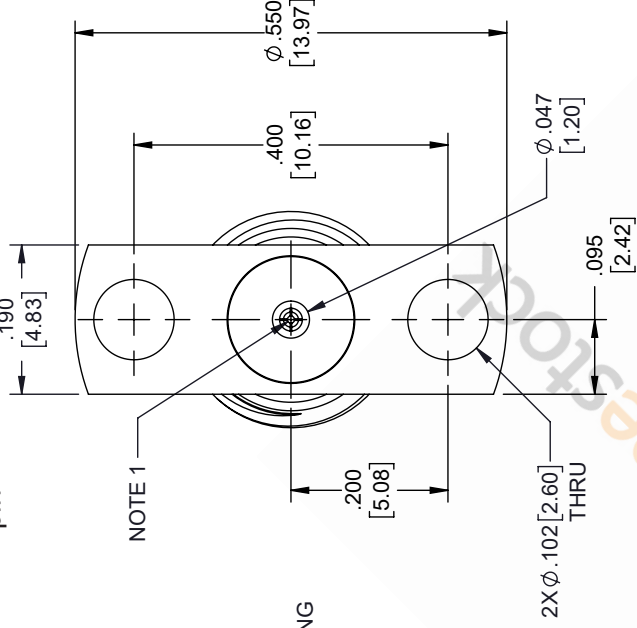
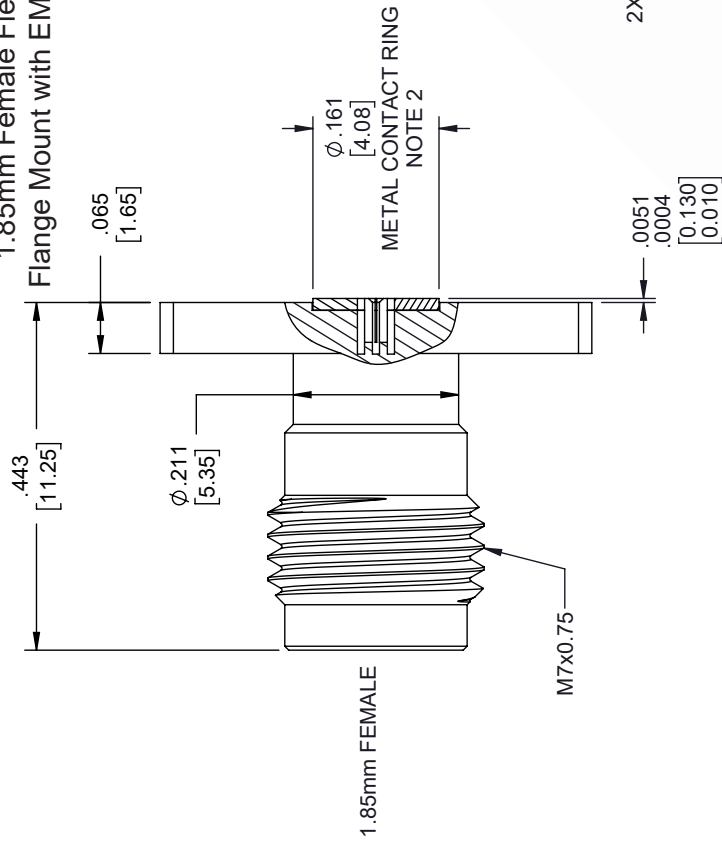


1.85mm Female Field Replaceable Connector 2 Hole Flange Mount with EMI gasket, accepts 0.3mm (.012inch) pin

| REVISIONS | | | |
|-----------|-----------------|------------|----------|
| REV. | DESCRIPTION | DATE | APPROVED |
| A | INITIAL RELEASE | 11/11/2021 | SRAUTUS |



MOUNTING HOLES
PATTERN

UNLESS OTHERWISE SPECIFIED
LEADING DIMENSIONS ARE INCHES
DIMENSIONS IN [] ARE MILLIMETERS

TOLERANCES:

| | | | |
|--------------|--------|-------------------------------|-----------------|
| .X = ±.2 | [5.08] | FRACTIONS | ± 1/32 |
| .XX = ±.02 | [.51] | ANGLES ± 1° | |
| .XXX = ±.005 | [.13] | CABLE LENGTH (L), TOLERANCES: | |
| | | L ≤ 12 [305] | ±.1 [2.5] / -0 |
| | | 12 [305] < L ≤ 60 [1524] | ±.2 [5.1] / -0 |
| | | 60 [1524] < L ≤ 120 [3048] | ±.4 [10.2] / -0 |
| | | 120 [3048] < L ≤ 300 [7620] | ±.6 [15.2] / -0 |
| | | 300 [7620] < L | ±.5% / -0 |

ALL DIMENSIONS SHOWN
ARE FOR REFERENCE ONLY.

THIRD-ANGLE PROJECTION

THE INFORMATION AND
DESIGN IN THIS DOCUMENT
IS THE PROPERTY OF
EBEESTOCK. ALL RIGHTS
RESERVED.

8TH FLOOR, BUILDING 1,
YONGFU SCIENCE AND TECHNOLOGY
CENTER INDUSTRIAL PARK, NANZHA DISTRICT
5 HUMAN 52800, DONGGUAN, GUANGDONG, CHINA
WEBSITE: www.ebeestock.com
EMAIL: sales@ebeestock.com

| | | | |
|------|-----------|------------|----------|
| SIZE | CAGE CODE | DRAWN BY | ITEM NO. |
| A | 53919 | MVEERAPPAN | ET9806 |

SHEET 1 OF 1
SCALE N/A
REV A

- NOTES:
- FEMALE CONTACT ACCEPTS PIN SIZE Ø.009 [0.23] ∇.071 [1.80] MAX.
 - SEPARATE METAL CONTACT RING (PASSIVATED).

THESE COMMODITIES, TECHNOLOGY OR SOFTWARE WERE EXPORTED FROM THE UNITED STATES IN ACCORDANCE WITH THE EXPORT ADMINISTRATION REGULATIONS. DIVERSION CONTRARY TO U.S. LAW PROHIBITED.