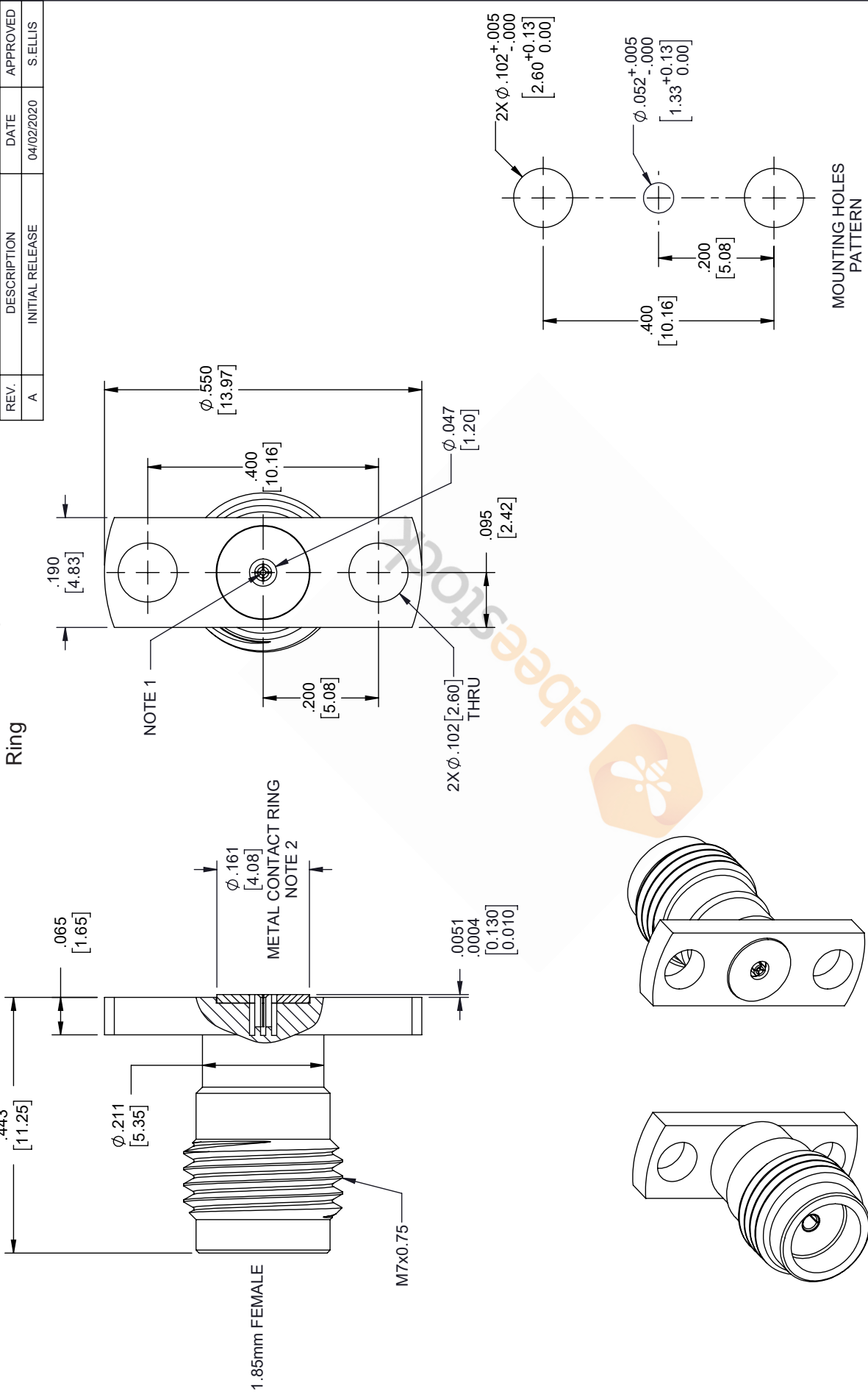


# 1.85mm Female Field Replaceable Connector 2 Hole Flange

## Mount 0.009 inch Pin, .400 inch Hole Spacing with Metal Contact Ring

REVISIONS			
REV.	DESCRIPTION	DATE	APPROVED
A	INITIAL RELEASE	04/02/2020	S. ELLIS



### MOUNTING HOLES PATTERN

UNLESS OTHERWISE SPECIFIED LEADING DIMENSIONS ARE INCHES DIMENSIONS IN [ ] ARE MILLIMETERS

TOLERANCES:

.X = ±.2 [5.08] FRACTIONS ±1/32  
 .XX = ±.02 [ .51] ANGLES ± 1°  
 .XXX = ±.005 [ .13] ANGLES ± 1°

CABLE LENGTH (L), TOLERANCES:

L ≤ 12 [305] = +1 [25] / -0  
 12 [305] < L ≤ 60 [1524] = +2 [51] / -0  
 60 [1524] < L ≤ 120 [3048] = +4 [102] / -0  
 120 [3048] < L ≤ 300 [7620] = +6 [152] / -0  
 300 [7620] < L = +5%L / -0

ALL DIMENSIONS SHOWN ARE FOR REFERENCE ONLY.

THIRD-ANGLE PROJECTION

THE INFORMATION AND DESIGN IN THIS DOCUMENT IS THE PROPERTY OF EBESTOCK. ALL RIGHTS RESERVED.

SHEET 1 OF 1

SCALE N/A

8TH FLOOR, BUILDING 1,  
 YONGFU SCIENCE AND TECHNOLOGY  
 CENTER INDUSTRIAL PARK, NANZHA DISTRICT  
 5, HUMAN 523800, DONGGUAN, GUANGDONG, CHINA  
 WEBSITE: [www.ebeestock.com](http://www.ebeestock.com)  
 EMAIL: [sales@ebeestock.com](mailto:sales@ebeestock.com)

SIZE	CAGE CODE	DRAWN BY	ITEM NO.
A	53919	DZINN	ET9818

- NOTES:
- FEMALE CONTACT ACCEPTS PIN SIZE Ø.009 [0.23] ∓.071 [1.80] MAX.
  - SEPARATE METAL CONTACT RING.

THESE COMMODITIES, TECHNOLOGY OR SOFTWARE WERE EXPORTED FROM THE UNITED STATES IN ACCORDANCE WITH THE EXPORT ADMINISTRATION REGULATIONS. DIVERSION CONTRARY TO U.S. LAW PROHIBITED.