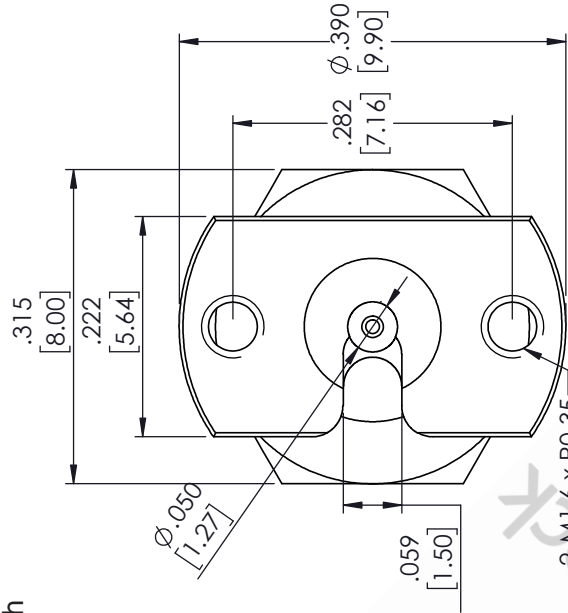
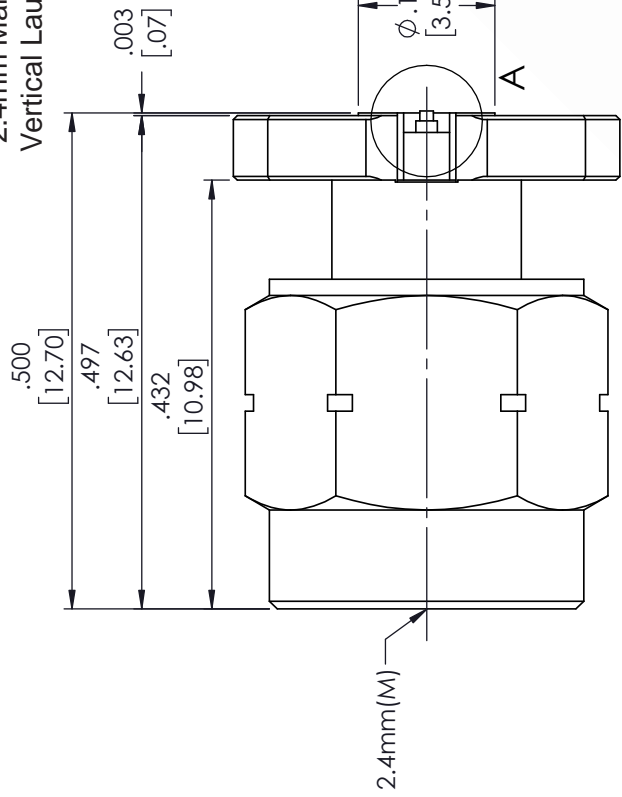
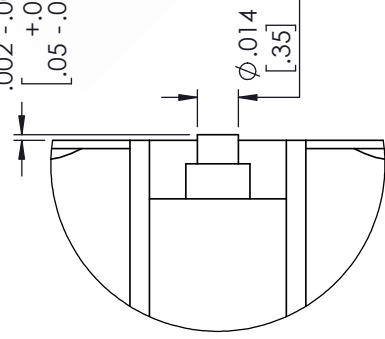


2.4mm Male Connector Clamp Attachment
Vertical Launch PCB, Removable Microstrip
Launch



+ .002
- .001
[.05 - .03]

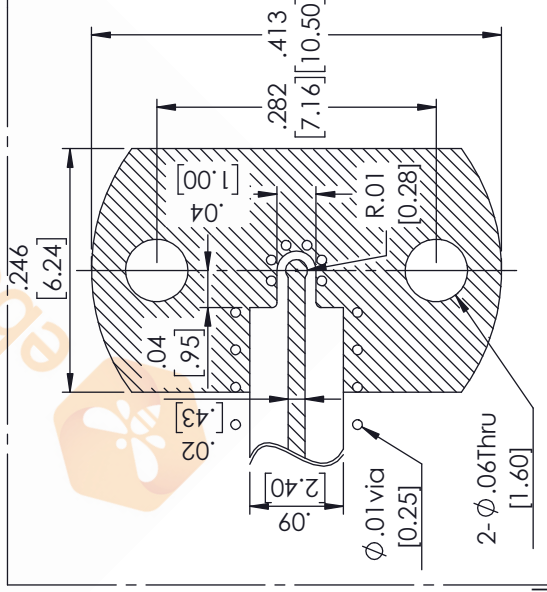


DETAIL A

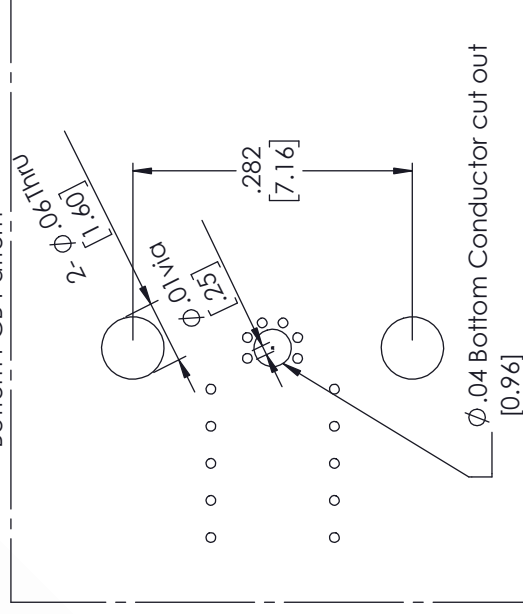
STANDARD TOLERANCES	
.X	± 0.2
.XX	± 0.01
.XXX	± 0.005

*STANDARD TOLERANCES APPLY ONLY TO DIMENSIONS IN INCHES

Recommended Top PCB Pattern



Recommended Bottom PCB Pattern



* PCB : R04003C 8mil

NOTES:
1. UNLESS OTHERWISE SPECIFIED ALL DIMENSIONS ARE NOMINAL.
2. ALL SPECIFICATIONS ARE SUBJECT TO CHANGE WITHOUT NOTICE AT ANY TIME
3. DIMENSIONS ARE IN INCHES [mm].

DWG TITLE
ET9847

8TH FLOOR, BUILDING 1, YONGFU SCIENCE AND TECHNOLOGY CENTER INDUSTRIAL PARK, NANZHA DISTRICT 5, HUMEN, 523900, DONGGUAN, GUANGDONG, CHINA
WEBSITE: www.ebeestock.com
EMAIL: sales@ebeestock.com



CAD FILE 06/04/18 SCALE N/A SIZE A CN2379

CAGE CODE 53919