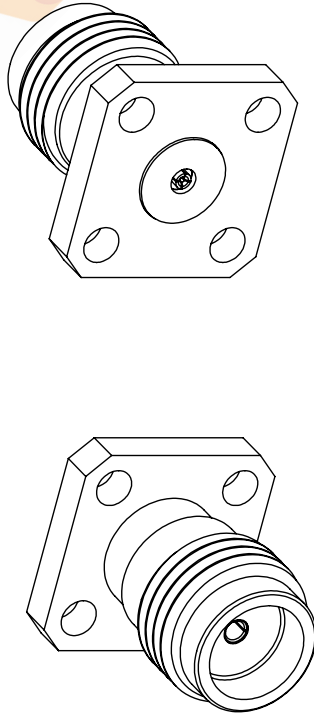
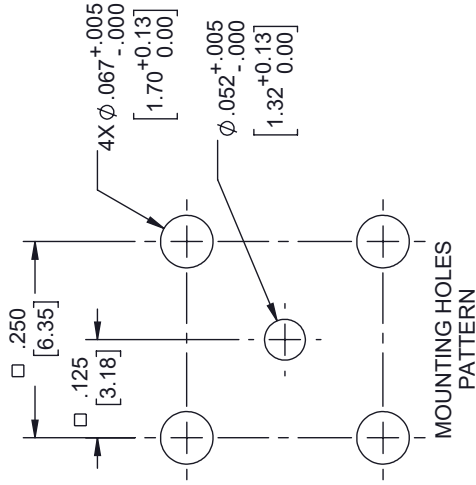
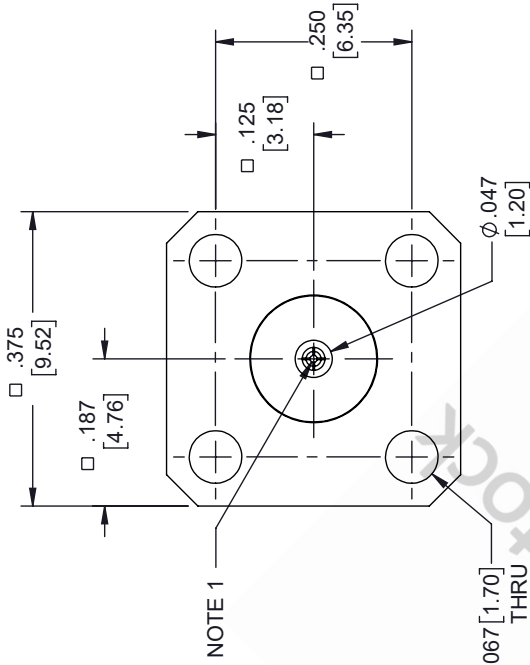
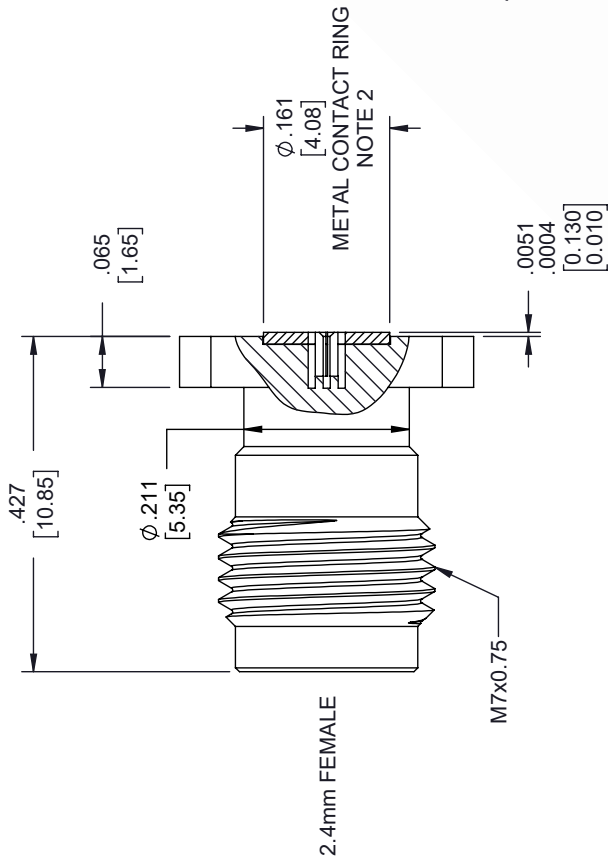


# 2.4mm Female Field Replaceable Connector 4 Hole Flange Mount 0.009 inch Pin, .250 inch Hole Spacing with Metal Contact Ring



## NOTES:

1. FEMALE CONTACT ACCEPTS PIN SIZE  $\phi$ .009 [0.23]  $\nabla$ .071 [1.80] MAX.
2. SEPARATE METAL CONTACT RING.

THESE COMMODITIES, TECHNOLOGY OR SOFTWARE WERE EXPORTED FROM THE UNITED STATES IN ACCORDANCE WITH THE EXPORT ADMINISTRATION REGULATIONS. DIVERSION CONTRARY TO U.S. LAW PROHIBITED.

## REVISIONS

REV.	DESCRIPTION	DATE	APPROVED
A <td>INITIAL RELEASE</td> <td>04/03/2020</td> <td>S. ELLIS</td>	INITIAL RELEASE	04/03/2020	S. ELLIS

UNLESS OTHERWISE SPECIFIED LEADING DIMENSIONS ARE INCHES DIMENSIONS IN [ ] ARE MILLIMETERS

TOLERANCES:	
.X = ±.2	[5.08]
.XX = ±.02	[.51]
.XXX = ±.005	[.13]
ANGLES ± 1°	
CABLE LENGTH (L), TOLERANCES:	
L ≤ 12	[305] = +1 [25] / -0
12 [305] < L ≤ 60	[1524] = +2 [51] / -0
60 [1524] < L ≤ 120	[3048] = +4 [102] / -0
120 [3048] < L ≤ 300	[7620] = +6 [152] / -0
300 [7620] < L =	+5% / -0
ALL DIMENSIONS SHOWN ARE FOR REFERENCE ONLY.	



8TH FLOOR, BUILDING 1,  
YONGFU SCIENCE AND TECHNOLOGY  
CENTER INDUSTRIAL PARK, NANZHA DISTRICT  
5, HUIMEN, 523000, DONGGUAN, GUANGDONG, CHINA  
WEBSITE: [www.ebeestock.com](http://www.ebeestock.com)  
EMAIL: [sales@ebeestock.com](mailto:sales@ebeestock.com)

THIRD-ANGLE PROJECTION  
THE INFORMATION AND DESIGN IN THIS DOCUMENT IS THE PROPERTY OF EBEESTOCK. ALL RIGHTS RESERVED.

SHEET	1	OF	1
SCALE	N/A		
REV	A		

ITEM NO.	ET9861
DRAWN BY	DZINN
CAGE CODE	53919