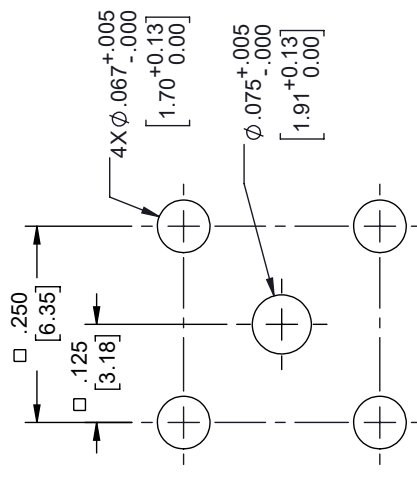
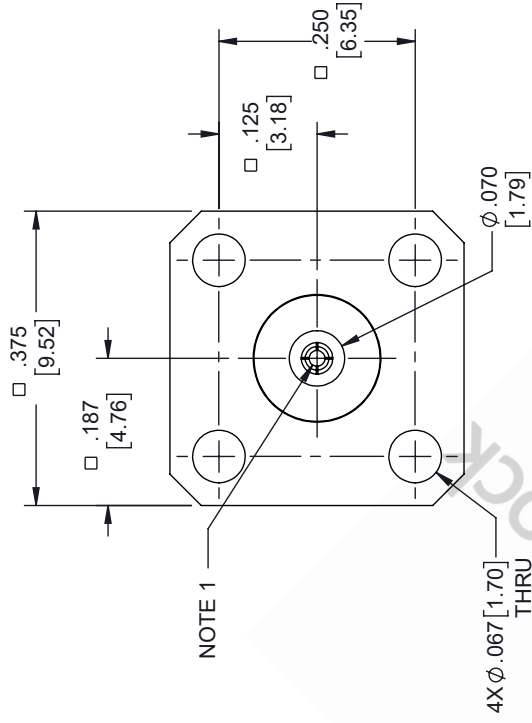
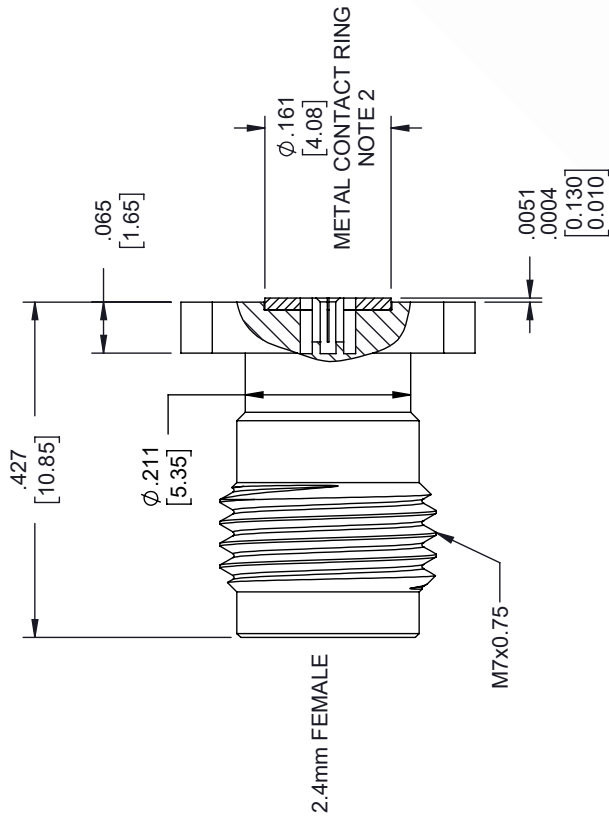
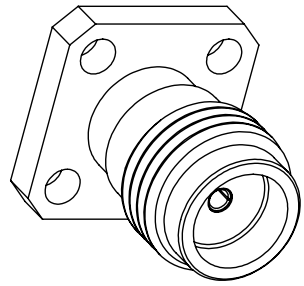
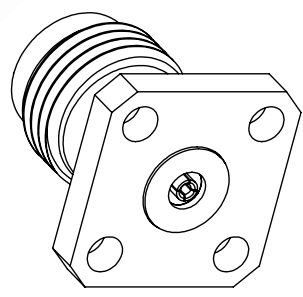


# 2.4mm Female Field Replaceable Connector 4 Hole Flange Mount 0.02 inch Pin, .250 inch Hole Spacing with Metal Contact Ring

REVISIONS			
REV.	DESCRIPTION	DATE	APPROVED
A	INITIAL RELEASE	04/03/2020	S. ELLIS



MOUNTING HOLES PATTERN



UNLESS OTHERWISE SPECIFIED LEADING DIMENSIONS ARE INCHES DIMENSIONS IN [ ] ARE MILLIMETERS

TOLERANCES:

FRACTIONS  
 .X = ±.2 [5.08] ±.1/32  
 .XX = ±.02 [51] ±.1/64  
 .XXX = ±.005 [13] ANGLES ± 1°

CABLE LENGTH (L), TOLERANCES:  
 L ≤ 12 [305] = +1 [25] / -0  
 12 [305] < L ≤ 60 [1524] = +2 [51] / -0  
 60 [1524] < L ≤ 120 [3048] = +4 [102] / -0  
 120 [3048] < L ≤ 300 [7620] = +6 [152] / -0  
 300 [7620] < L = +5% / -0

ALL DIMENSIONS SHOWN ARE FOR REFERENCE ONLY.

**ebeestock**

8TH FLOOR, BUILDING 1,  
 YONGFU SCIENCE AND TECHNOLOGY  
 CENTER INDUSTRIAL PARK, NANZHA DISTRICT  
 5.HUMEN523900,DONGGUAN, GUANGDONG, CHINA  
 WEBSITE: [www.ebeestock.com](http://www.ebeestock.com)  
 EMAIL: [sales@ebeestock.com](mailto:sales@ebeestock.com)

THIRD-ANGLE PROJECTION

SHEET 1 OF 1

SCALE N/A

REV A

ITEM NO. ET9864

DRAWN BY DZINN

CAGE CODE 53919

- NOTES:
- FEMALE CONTACT ACCEPTS PIN SIZE  $\phi .020 [0.51] \nabla .071 [1.80]$  MAX.
  - SEPARATE METAL CONTACT RING.

THESE COMMODITIES, TECHNOLOGY OR SOFTWARE WERE EXPORTED FROM THE UNITED STATES IN ACCORDANCE WITH THE EXPORT ADMINISTRATION REGULATIONS. DIVERSION CONTRARY TO U.S. LAW PROHIBITED.