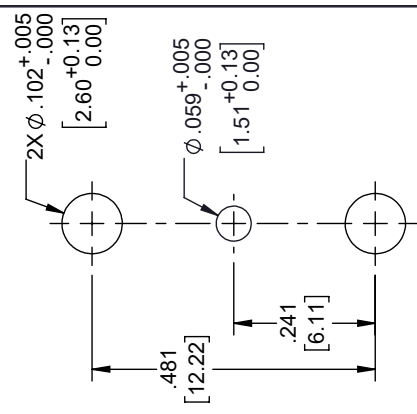
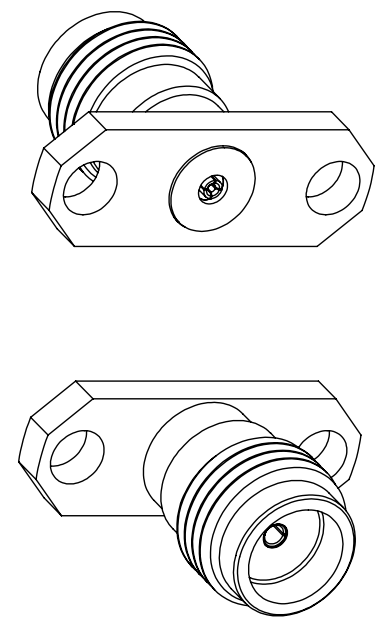
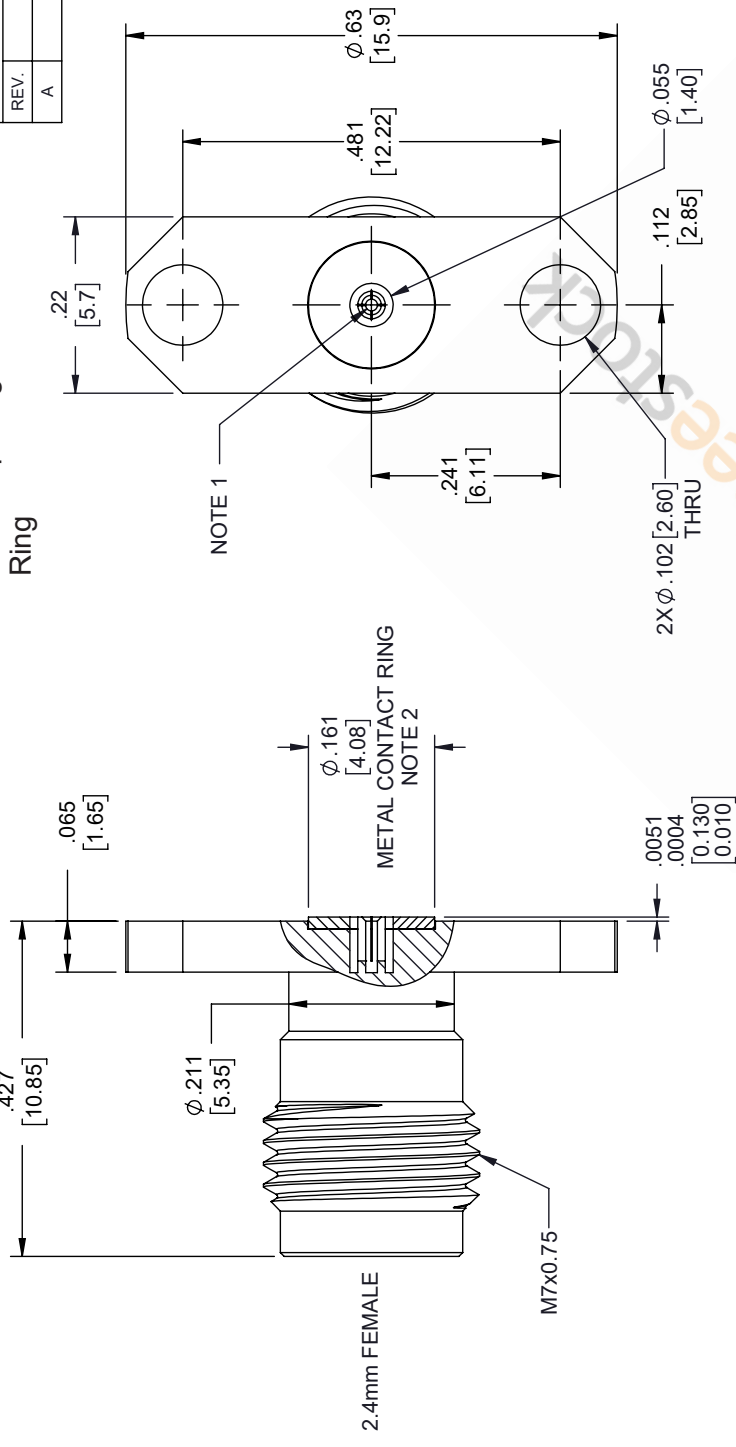


# 2.4mm Female Field Replaceable Connector 2 Hole Flange

Mount 0.015 inch Pin, .481 inch Hole Spacing, with Metal Contact Ring

| REVISIONS |                 |            |          |
|-----------|-----------------|------------|----------|
| REV.      | DESCRIPTION     | DATE       | APPROVED |
| A         | INITIAL RELEASE | 04/03/2020 | S. ELLIS |



MOUNTING HOLES PATTERN

UNLESS OTHERWISE SPECIFIED LEADING DIMENSIONS ARE INCHES DIMENSIONS IN [ ] ARE MILLIMETERS

TOLERANCES:  
 .X = ± .2 [5.08] FRACTIONS  
 .XX = ± .02 [ .51] ± 1/32  
 .XXX = ± .005 [ .13] ANGLES ± 1°

CABLE LENGTH (L), TOLERANCES:  
 L ≤ 12 [305] = +1 [25] / -0  
 12 [305] < L ≤ 60 [1524] = +2 [51] / -0  
 60 [1524] < L ≤ 120 [3048] = +4 [102] / -0  
 120 [3048] < L ≤ 300 [7620] = +6 [152] / -0  
 300 [7620] < L = +5% / -0

ALL DIMENSIONS SHOWN ARE FOR REFERENCE ONLY.

**ebeestock**  
 8TH FLOOR, BUILDING 1,  
 YONGFU SCIENCE AND TECHNOLOGY  
 CENTER INDUSTRIAL PARK, NANZHA DISTRICT  
 5, HUIJEN 523800, DONGGUAN, GUANGDONG, CHINA  
 WEBSITE: [www.ebeestock.com](http://www.ebeestock.com)  
 EMAIL: [sales@ebeestock.com](mailto:sales@ebeestock.com)

THIRD-ANGLE PROJECTION

THE INFORMATION AND DESIGN IN THIS DOCUMENT IS THE PROPERTY OF EBEESTOCK. ALL RIGHTS RESERVED.

SHEET 1 OF 1  
 SCALE N/A

SIZE A CAGE CODE 53919 DRAWN BY DZINN ITEM NO. ET9867 REV A

- NOTES:
1. FEMALE CONTACT ACCEPTS PIN SIZE  $\phi .015$  [0.38]  $\nabla .071$  [1.80] MAX.
  2. SEPARATE METAL CONTACT RING.

THESE COMMODITIES, TECHNOLOGY OR SOFTWARE WERE EXPORTED FROM THE UNITED STATES IN ACCORDANCE WITH THE EXPORT ADMINISTRATION REGULATIONS. DIVERSION CONTRARY TO U.S. LAW PROHIBITED.