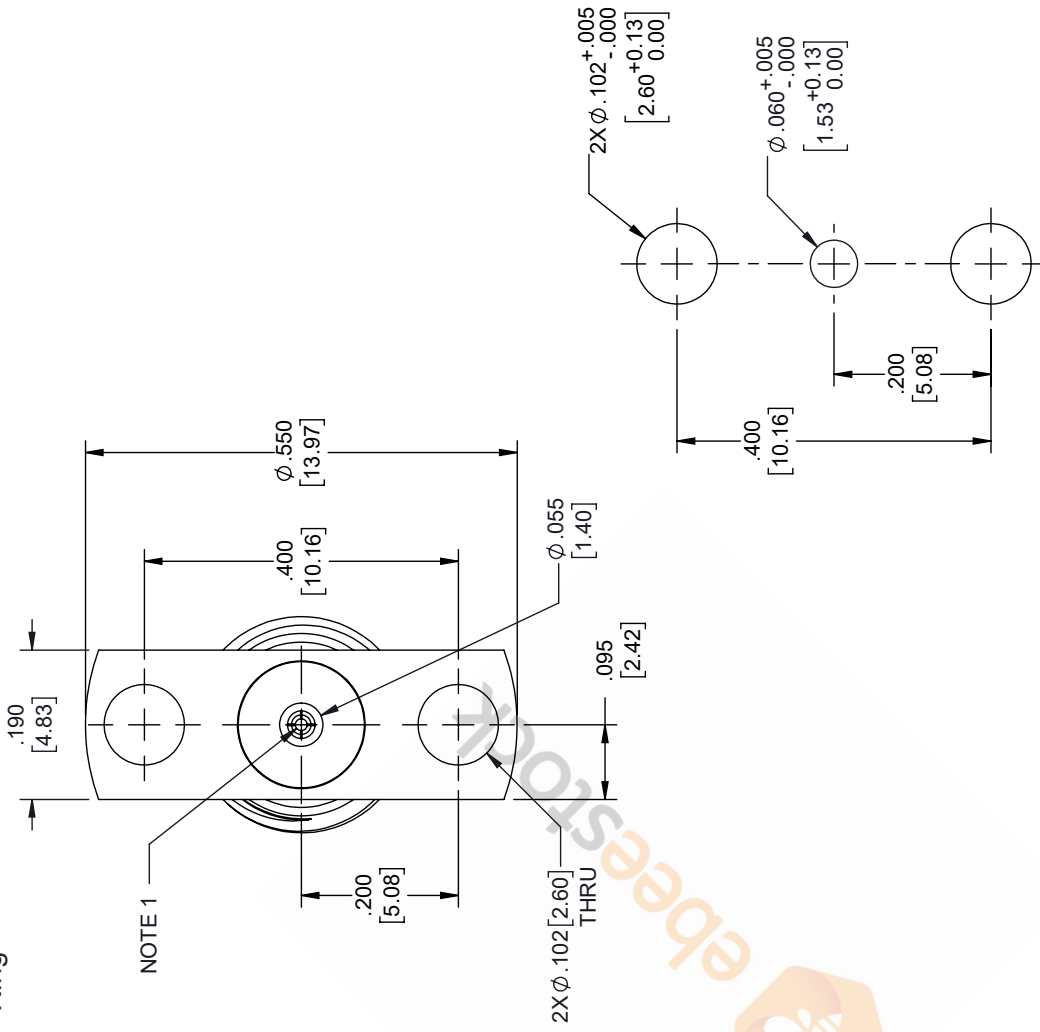


2.4mm Female Field Replaceable Connector 2 Hole Flange Ring

REVISIONS			
REV.	DESCRIPTION	DATE	APPROVED
A	INITIAL RELEASE	04/03/2020	S. ELLIS



MOUNTING HOLES PATTERN

THIRD-ANGLE PROJECTION	
<p>THE INFORMATION AND DESIGN IN THIS DOCUMENT IS THE PROPERTY OF EBESTOCK. ALL RIGHTS RESERVED.</p>	
SHEET	1 OF 1
SCALE	N/A
REV	A

8TH FLOOR, BUILDING 1,
YONGFU SCIENCE AND TECHNOLOGY
CENTER INDUSTRIAL PARK, NANZHA DISTRICT
5, HUIMEN, 523800, DONGGUAN, GUANGDONG, CHINA
WEBSITE: www.ebestock.com
EMAIL: sales@ebestock.com

SIZE	CAGE CODE	DRAWN BY	ITEM NO.
A	53919	DZINN	ET9875

UNLESS OTHERWISE SPECIFIED LEADING DIMENSIONS ARE INCHES DIMENSIONS IN [] ARE MILLIMETERS

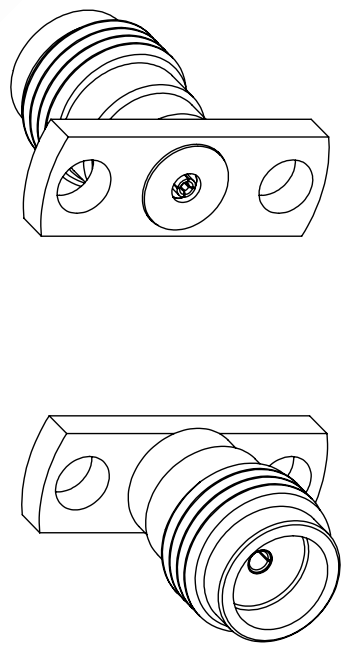
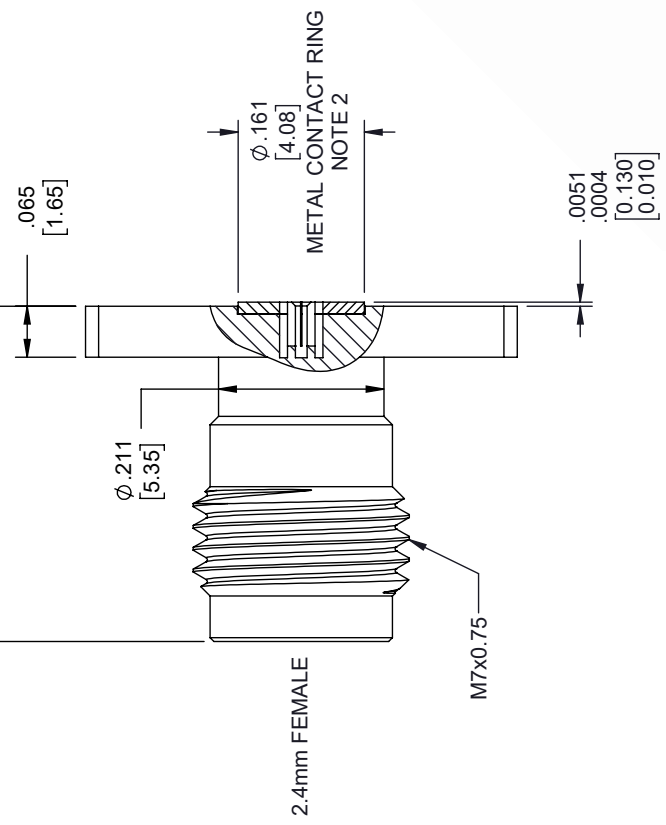
TOLERANCES:

.X = ±.2	[5.08]	FRACTIONS
.XX = ±.02	[.51]	± 1/32
.XXX = ±.005	[.13]	ANGLES ± 1°

CABLE LENGTH (L), TOLERANCES:

L ≤ 12	[305]	= +1 [25] / -0
12 [305] < L ≤ 60	[1524]	= +2 [51] / -0
60 [1524] < L ≤ 120	[3048]	= +4 [102] / -0
120 [3048] < L ≤ 300	[7620]	= +6 [152] / -0
300 [7620] < L		= +5% / -0

ALL DIMENSIONS SHOWN ARE FOR REFERENCE ONLY.



- NOTES:
1. FEMALE CONTACT ACCEPTS PIN SIZE ϕ .015 [0.38] ∇ .071 [1.80] MAX.
 2. SEPARATE METAL CONTACT RING.

THESE COMMODITIES, TECHNOLOGY OR SOFTWARE WERE EXPORTED FROM THE UNITED STATES IN ACCORDANCE WITH THE EXPORT ADMINISTRATION REGULATIONS. DIVERSION CONTRARY TO U.S. LAW PROHIBITED.