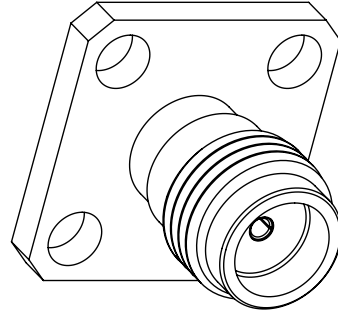
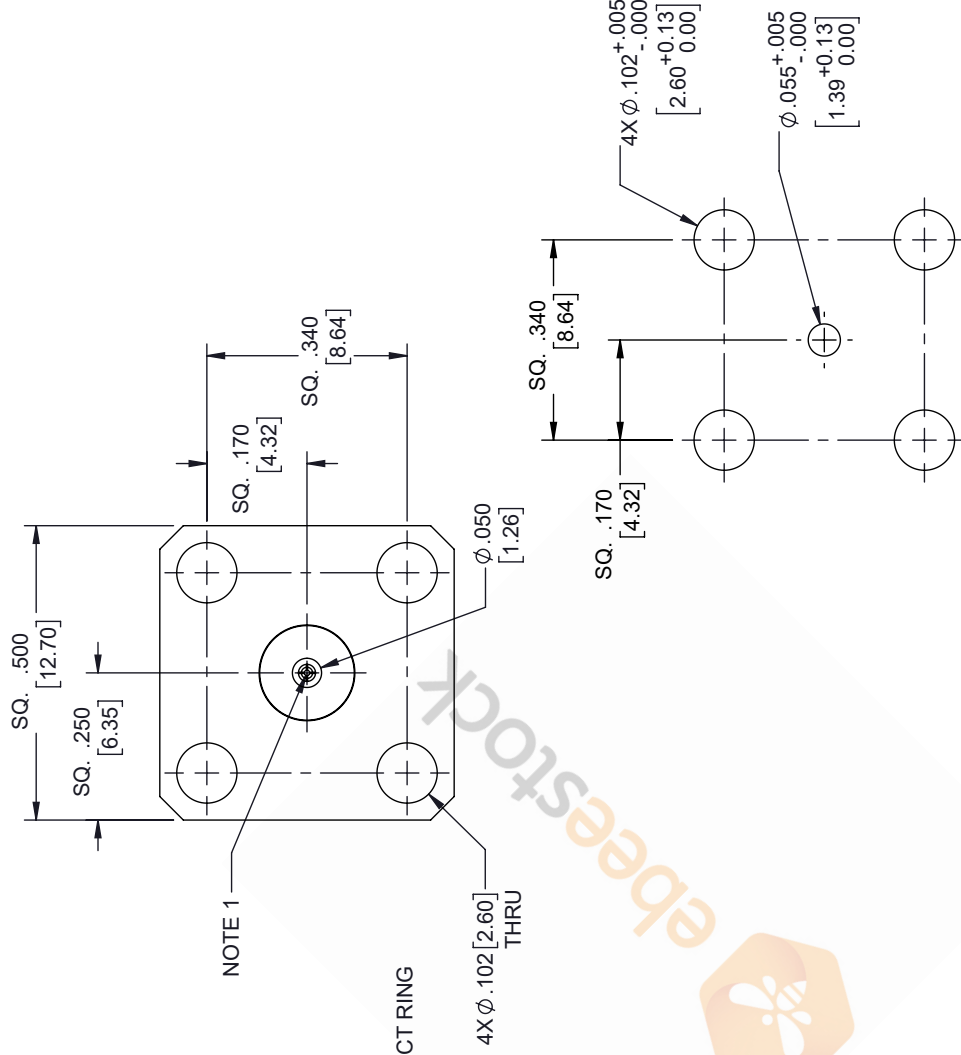
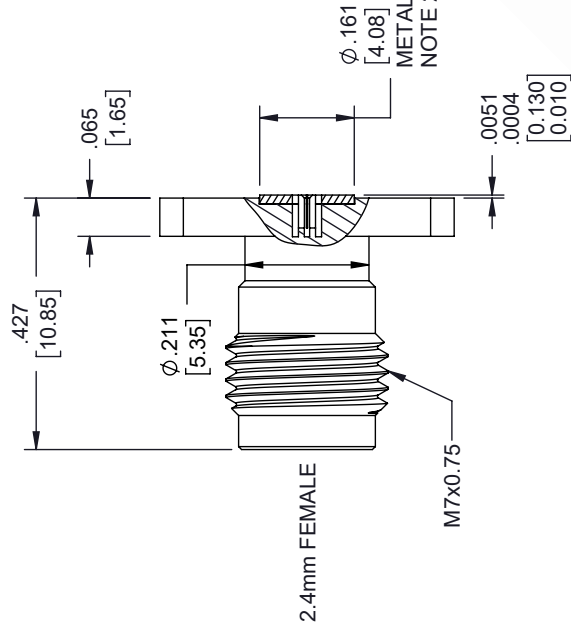


# 2.4mm Female Field Replaceable Connector 4 Hole Flange Mount with EMI gasket, accepts 0.3mm (.012inch) pin

## REVISIONS

REV.	DESCRIPTION	DATE	APPROVED
A	INITIAL RELEASE	11/11/2021	SRAUTUS



UNLESS OTHERWISE SPECIFIED  
LEADING DIMENSIONS ARE INCHES  
DIMENSIONS IN [ ] ARE MILLIMETERS

TOLERANCES:  
 .X = ±.2 [5.08]    FRACTIONS ± 1/32  
 .XX = ±.02 [ .51]    ANGLES ± 1°  
 .XXX = ±.005 [ .13]  
 CABLE LENGTH (L), TOLERANCES:  
 L ≤ 12 [305] = +1 [25] / -0  
 12 [305] < L ≤ 60 [1524] = +2 [51] / -0  
 60 [1524] < L ≤ 120 [3048] = +4 [102] / -0  
 120 [3048] < L ≤ 300 [7620] = +6 [152] / -0  
 300 [7620] < L = +5% / -0  
 ALL DIMENSIONS SHOWN  
 ARE FOR REFERENCE ONLY.

**ebeestock**  
 8TH FLOOR, BUILDING 1,  
 YONGFU SCIENCE AND TECHNOLOGY  
 CENTER INDUSTRIAL PARK, NANZHA DISTRICT  
 5, HUIJEN 523900, DONGGUAN, GUANGDONG, CHINA  
 WEBSITE: [www.ebeestock.com](http://www.ebeestock.com)  
 EMAIL: [sales@ebeestock.com](mailto:sales@ebeestock.com)

THIRD-ANGLE PROJECTION  
 THE INFORMATION AND  
 DESIGN IN THIS DOCUMENT  
 IS THE PROPERTY OF  
 EBEESTOCK. ALL RIGHTS  
 RESERVED.  
 SHEET 1 OF 1  
 SCALE N/A  
 REV A

- NOTES:
1. FEMALE CONTACT ACCEPTS PIN SIZE  $\phi .012 [0.30] \nabla .071 [1.80]$  MAX.
  2. SEPARATE METAL CONTACT RING (PASSIVATED).

THESE COMMODITIES, TECHNOLOGY OR SOFTWARE WERE EXPORTED FROM THE UNITED STATES IN ACCORDANCE WITH THE EXPORT ADMINISTRATION REGULATIONS. DIVERSION CONTRARY TO U.S. LAW PROHIBITED.

SIZE A    CAGE CODE 53919    DRAWN BY MVEERAPPAN    ITEM NO. ET9883