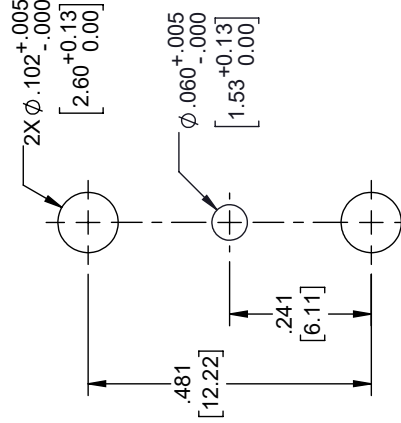
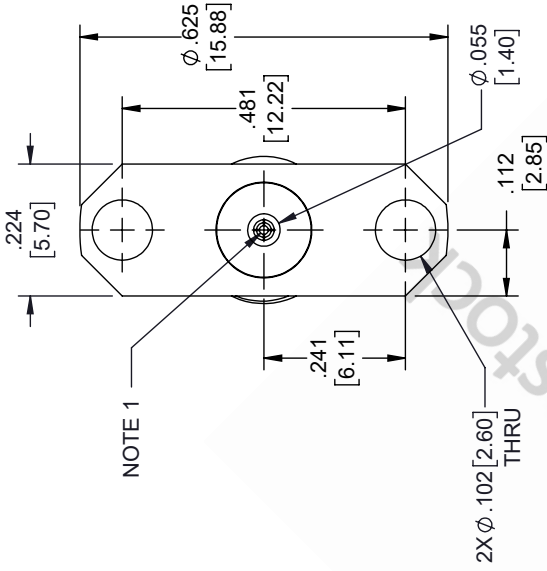
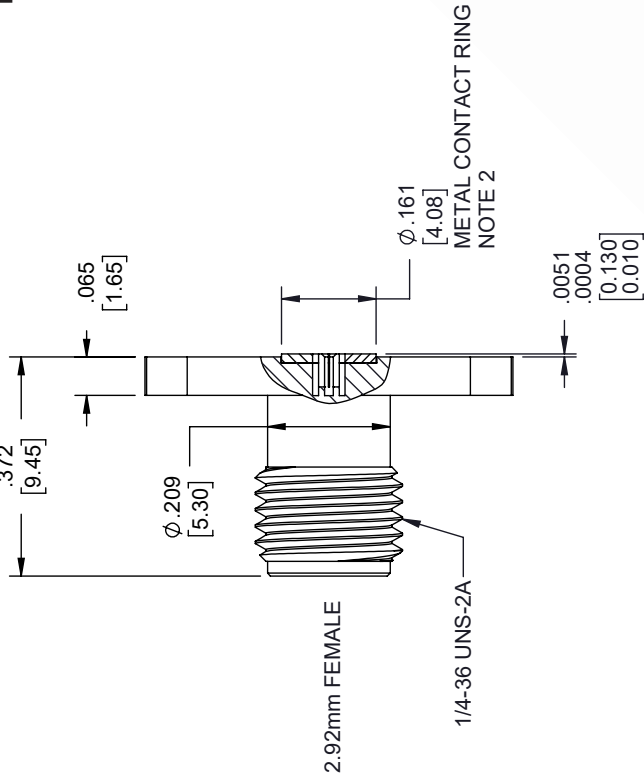
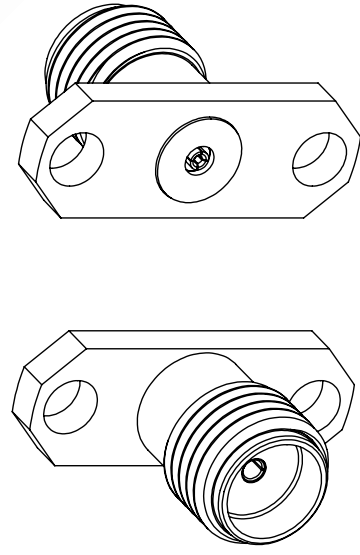


2.92mm Female Field Replaceable Connector 2 Hole Flange Mount 0.015 inch Pin, .481 inch Hole Spacing, with Metal Contact Ring

REVISIONS			
REV.	DESCRIPTION	DATE	APPROVED
A	INITIAL RELEASE	04/06/2020	S. ELLIS



MOUNTING HOLES PATTERN



- NOTES:
1. FEMALE CONTACT ACCEPTS PIN SIZE $\phi .015$ [0.38] $\nabla .071$ [1.80] MAX.
 2. SEPARATE METAL CONTACT RING.

THESE COMMODITIES, TECHNOLOGY OR SOFTWARE WERE EXPORTED FROM THE UNITED STATES IN ACCORDANCE WITH THE EXPORT ADMINISTRATION REGULATIONS. DIVERSION CONTRARY TO U.S. LAW PROHIBITED.

UNLESS OTHERWISE SPECIFIED LEADING DIMENSIONS ARE INCHES DIMENSIONS IN [] ARE MILLIMETERS
TOLERANCES:
.X = ± .2 [5.08] FRACTIONS ± 1/32
.XX = ± .02 [.51] ANGLES ± 1°
.XXX = ± .005 [.13] CABLE LENGTH (L), TOLERANCES:
L ≤ 12 [305] = +1 [25] / -0
12 [305] < L ≤ 60 [1524] = +2 [51] / -0
60 [1524] < L ≤ 120 [3048] = +4 [102] / -0
120 [3048] < L ≤ 300 [7620] = +6 [152] / -0
300 [7620] < L = +5% / -0
ALL DIMENSIONS SHOWN ARE FOR REFERENCE ONLY.

		8TH FLOOR, BUILDING 1, YONGFU SCIENCE AND TECHNOLOGY CENTER INDUSTRIAL PARK, MANZHA DISTRICT 5, HUIJEN, 523800, DONGGUAN, GUANGDONG, CHINA WEBSITE: www.ebeestock.com EMAIL: sales@ebeestock.com	
SIZE	CAGE CODE	DRAWN BY	ITEM NO.
A	53919	DZINN	ET9940

THIRD-ANGLE PROJECTION		
THE INFORMATION AND DESIGN IN THIS DOCUMENT IS THE PROPERTY OF EBEESTOCK. ALL RIGHTS RESERVED.		
SHEET	1	OF 1
SCALE	N/A	
REV	A	