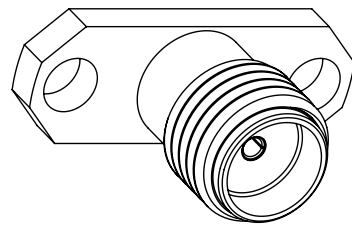
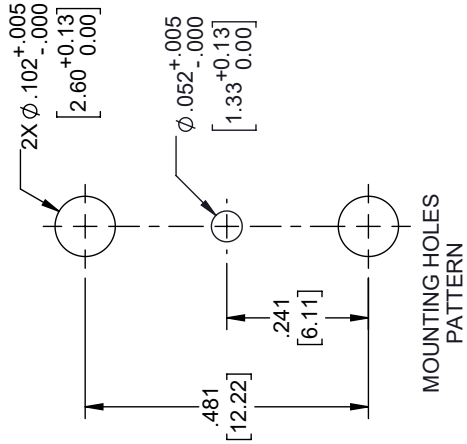
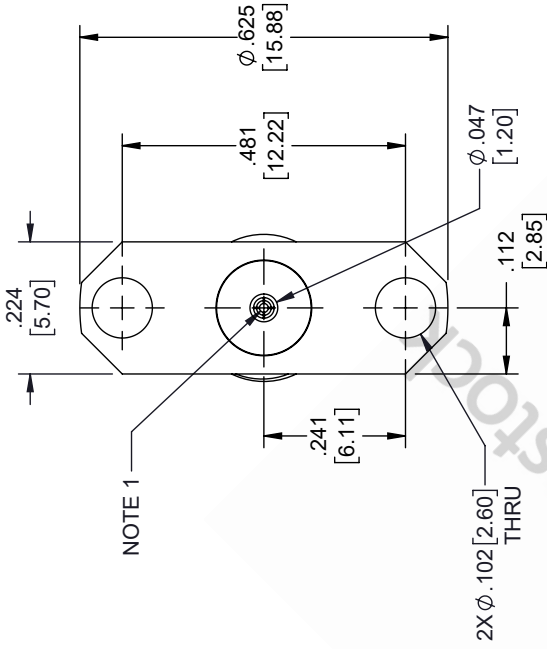
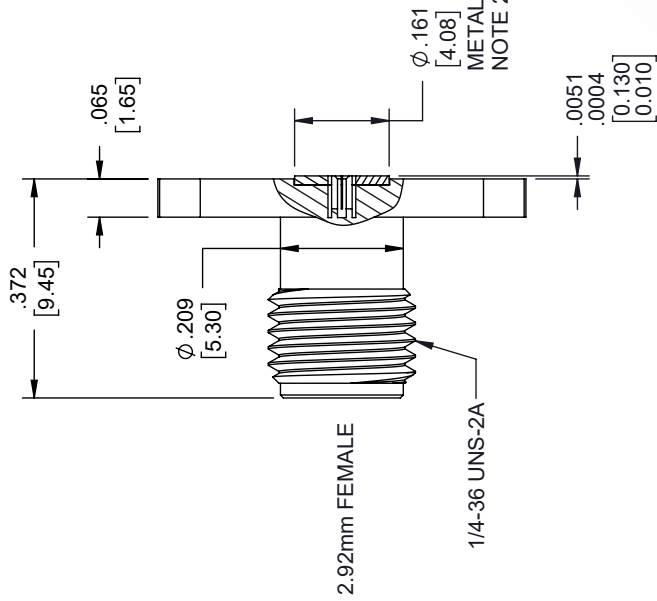


2.92mm Female Field Replaceable Connector 2 Hole Flange Mount with EMI gasket, accepts 0.23mm (.009inch) pin

REVISIONS			
REV.	DESCRIPTION	DATE	APPROVED
A	INITIAL RELEASE	11/11/2021	SRAUTUS



UNLESS OTHERWISE SPECIFIED LEADING DIMENSIONS ARE INCHES DIMENSIONS IN [] ARE MILLIMETERS

TOLERANCES:

FRACTIONS
 $.X = \pm .2$ [5.08]
 $.XX = \pm .02$ [51]
 $.XXX = \pm .005$ [13]

ANGLES $\pm 1^\circ$

CABLE LENGTH (L), TOLERANCES:
 $L \leq 12$ [305] = ± 1 [25] / -0
 12 [305] < $L \leq 60$ [1524] = ± 2 [51] / -0
 60 [1524] < $L \leq 120$ [3048] = ± 4 [102] / -0
 120 [3048] < $L \leq 300$ [7620] = ± 6 [152] / -0
 300 [7620] < $L = \pm 5\%$ / -0

ALL DIMENSIONS SHOWN ARE FOR REFERENCE ONLY.

ebeestock

8TH FLOOR, BUILDING 1,
 YONGFU SCIENCE AND TECHNOLOGY
 CENTER INDUSTRIAL PARK, NANZHA DISTRICT
 5, HJUMEN 523800, DONGGUAN, GUANGDONG, CHINA
 WEBSITE: www.ebeestock.com
 EMAIL: sales@ebeestock.com

THIRD-ANGLE PROJECTION

THE INFORMATION AND DESIGN IN THIS DOCUMENT IS THE PROPERTY OF EBEESTOCK. ALL RIGHTS RESERVED.

SHEET 1 OF 1

SCALE N/A

REV A

ITEM NO. ET9962

DRAWN BY MVEERAPPAN

CAGE CODE 53919

- NOTES:
1. FEMALE CONTACT ACCEPTS PIN SIZE $\phi .009$ [0.23] $\nabla .071$ [1.80] MAX.
 2. SEPARATE METAL CONTACT RING (PASSIVATED).

THESE COMMODITIES, TECHNOLOGY OR SOFTWARE WERE EXPORTED FROM THE UNITED STATES IN ACCORDANCE WITH THE EXPORT ADMINISTRATION REGULATIONS. DIVERSION CONTRARY TO U.S. LAW PROHIBITED.