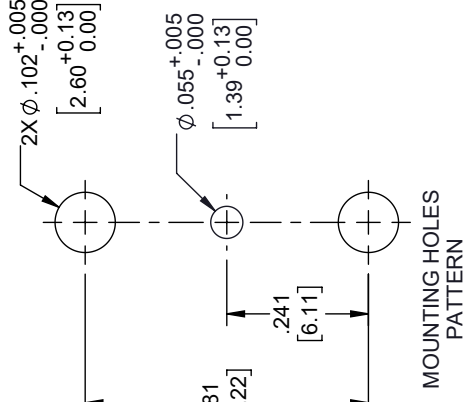
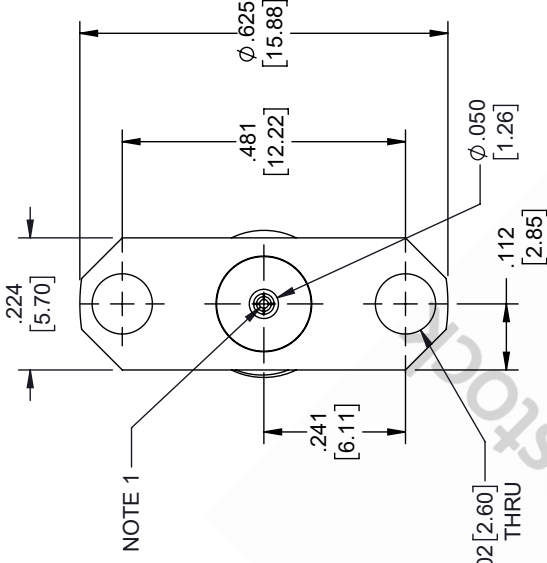
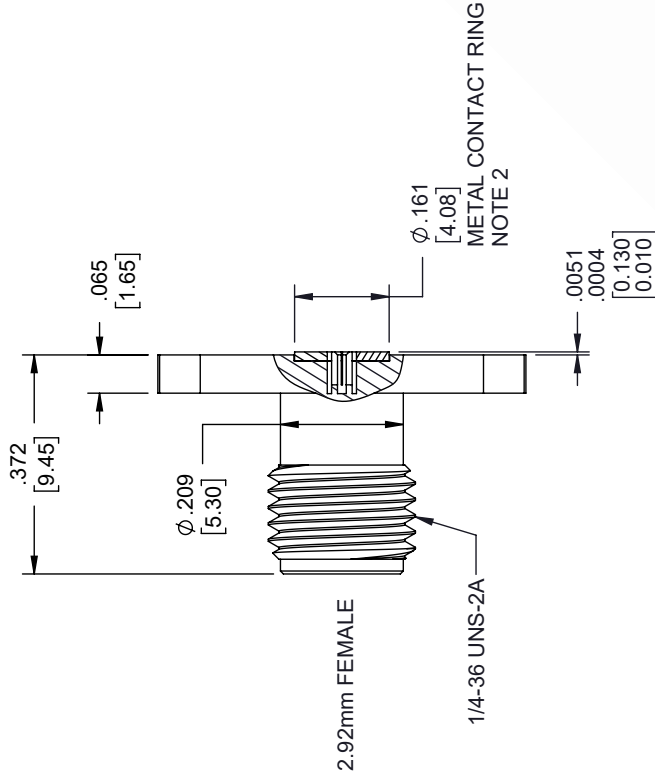


# 2.92mm Female Field Replaceable Connector 2 Hole Flange Mount with EMI gasket, accepts 0.3mm (.012inch) pin

REVISIONS			
REV.	DESCRIPTION	DATE	APPROVED
A	INITIAL RELEASE	11/11/2021	SRAUTUS



UNLESS OTHERWISE SPECIFIED LEADING DIMENSIONS ARE INCHES DIMENSIONS IN [ ] ARE MILLIMETERS

TOLERANCES:

FRACTIONS  
 $.X = \pm .2$  [5.08]  
 $.XX = \pm .02$  [51]  
 $.XXX = \pm .005$  [13]

ANGLES  $\pm 1^\circ$

CABLE LENGTH (L), TOLERANCES:  
 $L \leq 12$  [305] =  $\pm 1$  [25] / -0  
 $12$  [305] <  $L \leq 60$  [1524] =  $\pm 2$  [51] / -0  
 $60$  [1524] <  $L \leq 120$  [3048] =  $\pm 4$  [102] / -0  
 $120$  [3048] <  $L \leq 300$  [7620] =  $\pm 6$  [152] / -0  
 $300$  [7620] <  $L = +5\%$  / -0

ALL DIMENSIONS SHOWN ARE FOR REFERENCE ONLY.

**ebeestock**

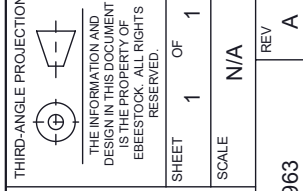
8TH FLOOR, BUILDING 1,  
 YONGFU SCIENCE AND TECHNOLOGY  
 CENTER INDUSTRIAL PARK, NANZHA DISTRICT  
 5, HUIJUN 523800, DONGGUAN, GUANGDONG, CHINA  
 WEBSITE: [www.ebeestock.com](http://www.ebeestock.com)  
 EMAIL: [sales@ebeestock.com](mailto:sales@ebeestock.com)

ITEM NO. ET9963

SCALE N/A

SHEET 1 OF 1

REV A



- NOTES:
1. FEMALE CONTACT ACCEPTS PIN SIZE  $\phi .012$  [0.30]  $\nabla .071$  [1.80] MAX.
  2. SEPARATE METAL CONTACT RING (PASSIVATED).

THESE COMMODITIES, TECHNOLOGY OR SOFTWARE WERE EXPORTED FROM THE UNITED STATES IN ACCORDANCE WITH THE EXPORT ADMINISTRATION REGULATIONS. DIVERSION CONTRARY TO U.S. LAW PROHIBITED.