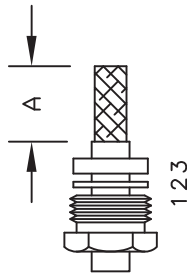


3/4 inch-20 Twinax Male Connector Clamp/Solder Attachment for PE-S330

ASSEMBLY PROCEDURES

1. SLIDE CLAMP NUT (1), WASHER (2) AND GASKET (3) OVER CABLE. STRIP CABLE AS SHOWN IN A. DO NOT NICK BRAID WHILE CUTTING JACKET. TAPER END OF BRAID TO PERMIT ASSEMBLY OF THE BRAID CLAMP (4). SLIDE BRAID CLAMP (4) OVER BRAID & BUTT INNER SHOULDER AGAINST JACKET. COMB BRAID & FORM OVER BRAID CLAMP (4). TRIM BRAID FLUSH WITH SHOULDER.



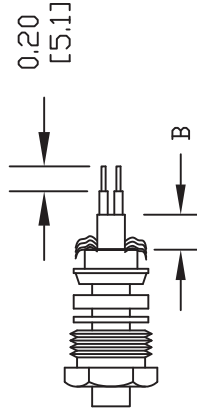
1 2 3
A = .500 [12.7]



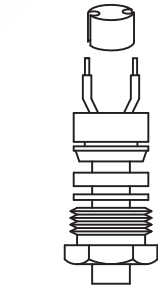
1 2 3 4

2. STRIP CABLE AS SHOWN IN B. SLIDE WASHER (5) OVER DIELECTRIC & SIT FIRMLY AGAINST BRAID. SPREAD OUT CONTACTS TO ALLOW THE INSTALLATION OF BUSHING (6). SOLDER CONTACTS TO CENTER CONDUCTOR. INSERT CONTACTS INTO INSULATOR. WITH THE BARE COPPER CENTER CONDUCTOR SIDE GOES IN THE HOLE IDENTIFIED BY THE DOT. LINE THE INSULATOR KEY UP TO THE BODY PIN; INSERT ENTIRE ASSEMBLY AND TIGHTEN.

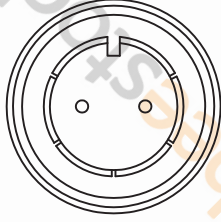
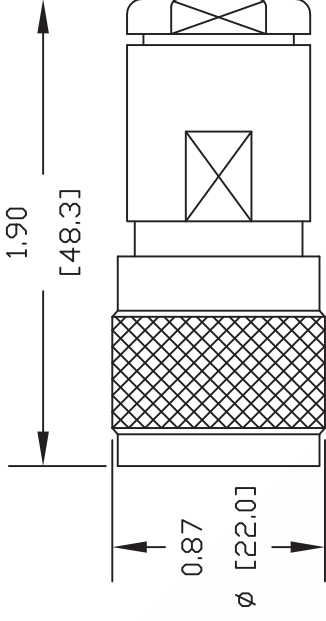
B = .125 [3.2]



1 2 3 4



1 2 3 4 5 6



ebeeStock

8TH FLOOR, BUILDING 1, YONGFU SCIENCE AND TECHNOLOGY CENTER INDUSTRIAL PARK, NANZHA DISTRICT 5, HUMEN, 523900, DONGGUAN, GUANGDONG, CHINA

WEBSITE: www.ebeestock.com
EMAIL: sales@ebeestock.com

DWG TITLE

ET9980

- NOTES:
1. UNLESS OTHERWISE SPECIFIED ALL DIMENSIONS ARE NOMINAL.
 2. ALL SPECIFICATIONS ARE SUBJECT TO CHANGE WITHOUT NOTICE AT ANY TIME.
 3. DIMENSIONS ARE IN INCHES [mm].
 4. FITS MIL-C-17 AND EQUIVALENT CABLES.

REV. -

FSCM NO. 53919

CAD FILE 092608

SCALE N/A

SIZE A

127