

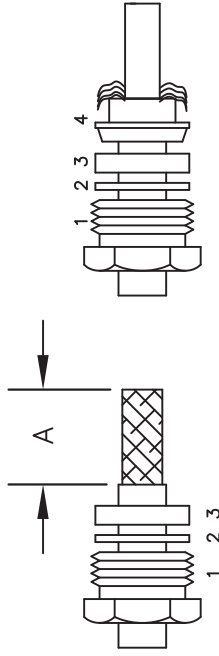
# 3/4 inch-20 Twinax Female Connector Clamp/Solder Attachment for PE-

## ASSEMBLY PROCEDURES

S330

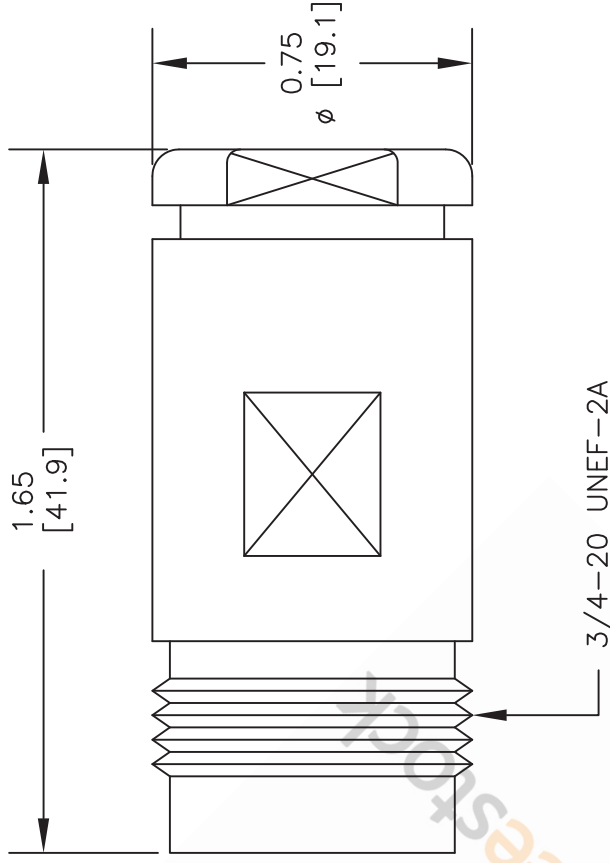
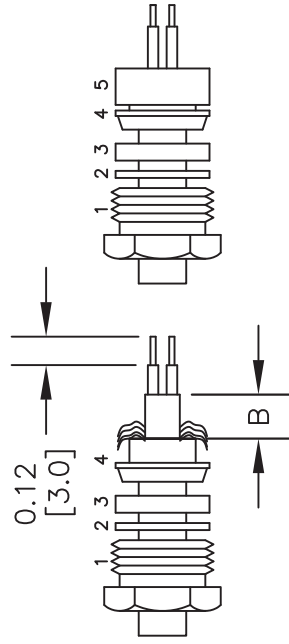
1. SLIDE CLAMP NUT (1), WASHER (2) & GASKET (3) OVER CABLE. STRIP CABLE AS SHOWN IN A. DO NOT NICK THE BRAID OR INNER CONDUCTORS. TAPER END OF BRAID TO PERMIT ASSEMBLY OF THE BRAID CLAMP (4). SLIDE BRAID CLAMP (4) OVER BRAID & BUTT INNER SHOULDER AGAINST JACKET. FORM BRAID OVER BRAID CLAMP (4). TRIM BRAID FLUSH WITH SHOULDER.

A = .500



2. STRIP CABLE AS SHOWN IN B. SLIDE BUSHING (5) OVER DIELECTRIC & SEAT FIRMLY AGAINST BRAID. SOLDER CONTACTS TO CENTER CONDUCTORS. REMOVE ANY EXCESS SOLDER. PUSH OUT INSULATOR FROM BODY. SPREAD OUT CONTACTS. SLIDE INSULATOR OVER CONTACTS. LINE THE KEY WAY UP WITH THE PIN IN THE BODY & INSERT THE ENTIRE ASSEMBLY INTO BODY & TIGHTEN.

B = .100



DWG TITLE

ET9982

- NOTES:
1. UNLESS OTHERWISE SPECIFIED ALL DIMENSIONS ARE NOMINAL.
  2. ALL SPECIFICATIONS ARE SUBJECT TO CHANGE WITHOUT NOTICE AT ANY TIME.
  3. DIMENSIONS ARE IN INCHES [mm].
  4. FITS MIL-C-17 AND EQUIVALENT CABLES.

8TH FLOOR, BUILDING 1, YONGFU SCIENCE AND TECHNOLOGY CENTER INDUSTRIAL PARK, NANZHA DISTRICT 5, HUMEN, 523900, DONGGUAN, GUANGDONG, CHINA

**ebeestock**

WEBSITE: [www.ebeestock.com](http://www.ebeestock.com)  
EMAIL: [sales@ebeestock.com](mailto:sales@ebeestock.com)

REV. - FSCM NO. 53919

CAD FILE 050802

SCALE N/A

SIZE A

2233