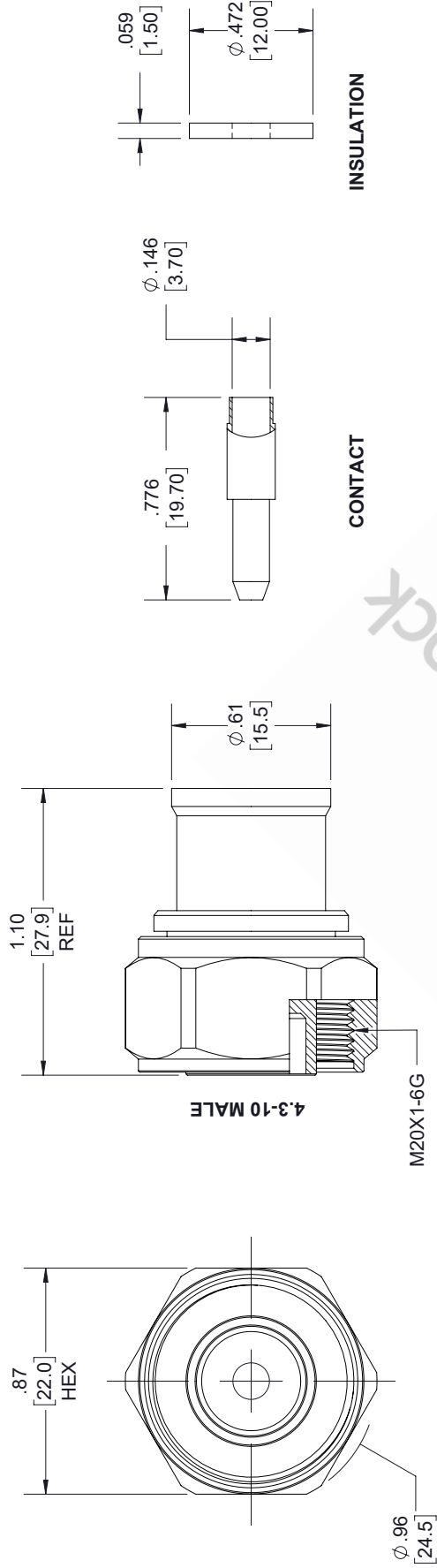


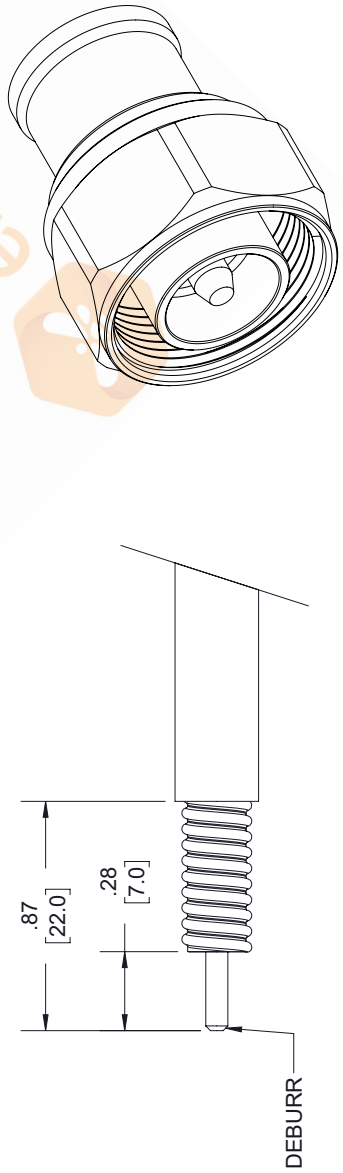
4.3-10 Male Low PIM Connector Solder Attachment for SPP-500-LLPL, SPO-500, SPF-500

| REVISIONS | | | |
|-----------|-----------------|----------|----------|
| REV. | DESCRIPTION | DATE | APPROVED |
| A | INITIAL RELEASE | 3/9/2020 | S.ELLIS |



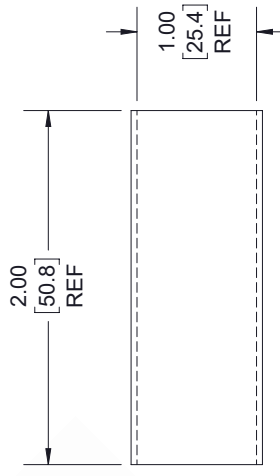
CONTACT

INSULATION



STRIPPING DIMENSIONS

- NOTES:
- CABLE ATTACHMENT:
 - OUTER: SOLDER.
 - INNER: SOLDER.



HEAT SHRINK TUBE

UNLESS OTHERWISE SPECIFIED LEADING DIMENSIONS ARE INCHES DIMENSIONS IN [] ARE MILLIMETERS

TOLERANCES:

| | | | |
|---|--------|------------------------------|--------|
| .X = ±.2 | [5.08] | FRACTIONS | ± 1/32 |
| .XX = ±.02 | [.51] | ANGLES ± 1° | |
| .XXX = ±.005 | [.13] | CABLE LENGTH (L) TOLERANCES: | |
| L ≤ 12 [305] = +1 [25] / -0 | | | |
| 12 [305] < L ≤ 60 [1524] = +2 [51] / -0 | | | |
| 60 [1524] < L ≤ 120 [3048] = +4 [102] / -0 | | | |
| 120 [3048] < L ≤ 300 [7620] = +6 [152] / -0 | | | |
| 300 [7620] < L = +5% / L / -0 | | | |

ALL DIMENSIONS SHOWN ARE FOR REFERENCE ONLY.

| | |
|--|--|
| <p>8TH FLOOR, BUILDING 1, YONGFU SCIENCE AND TECHNOLOGY CENTER INDUSTRIAL PARK, NANZHA DISTRICT 5, HUIMEN 523800, DONGGUAN, GUANGDONG, CHINA WEBSITE: www.ebeestock.com EMAIL: sales@ebeestock.com</p> | THIRD-ANGLE PROJECTION |
| | <p>THE INFORMATION AND DESIGN IN THIS DOCUMENT IS THE PROPERTY OF EBEESTOCK. ALL RIGHTS RESERVED.</p> <p>SHEET 1 OF 1</p> <p>SCALE N/A</p> |
| <p>SIZE A</p> <p>CAGE CODE 53919</p> <p>DRAWN BY K.DANG</p> <p>ITEM NO. ET10015</p> | <p>REV A</p> |

THESE COMMODITIES, TECHNOLOGY OR SOFTWARE WERE EXPORTED FROM THE UNITED STATES IN ACCORDANCE WITH THE EXPORT ADMINISTRATION REGULATIONS. DIVERSION CONTRARY TO U.S. LAW PROHIBITED.