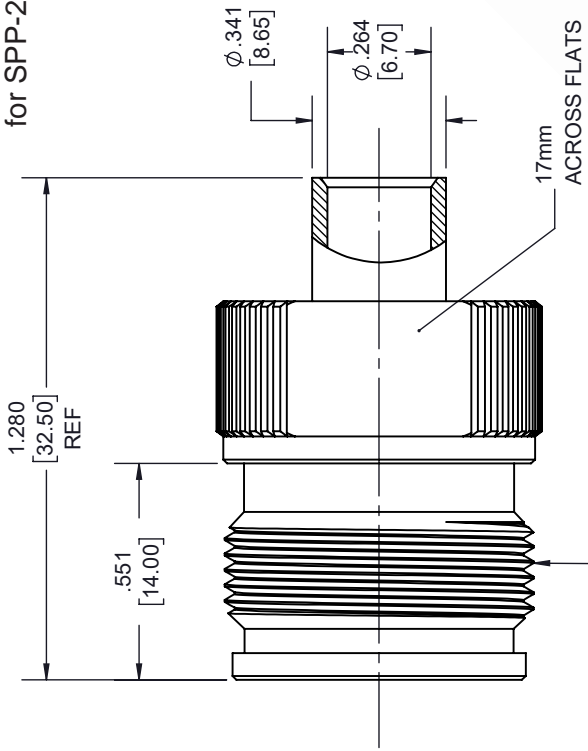


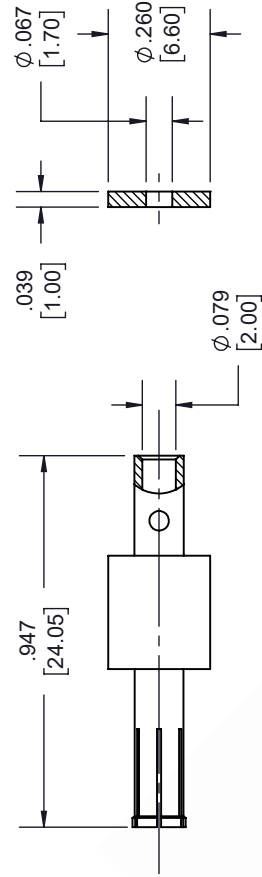
### 4.3-10 Female Low PIM Connector Solder Attachment for SPP-250-LLPL, SPO-250, SPF-250

| REVISIONS |                 |          |          |
|-----------|-----------------|----------|----------|
| REV.      | DESCRIPTION     | DATE     | APPROVED |
| A         | INITIAL RELEASE | 03/13/19 | S. ELLIS |



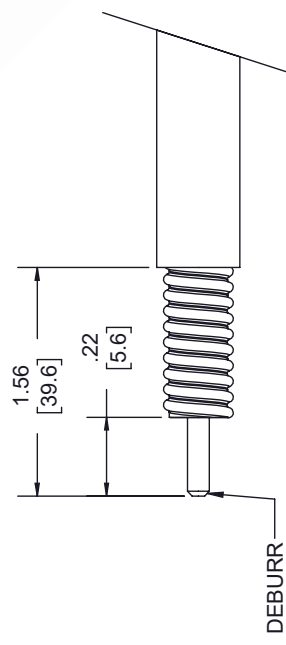
M20 X 1.0

4.3-10  
FEMALE



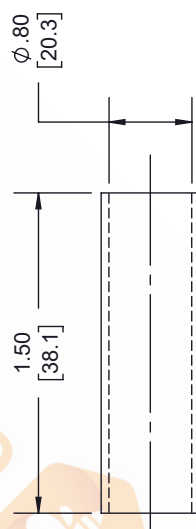
CONTACT & INSULATOR 1

INSULATOR 2

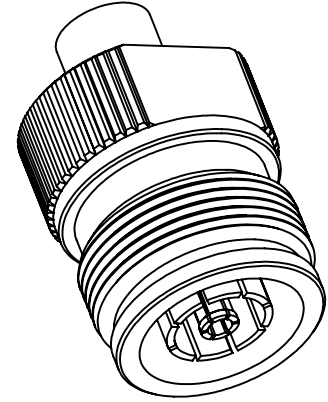


STRIPPING DIMENSIONS

- NOTES:
- 1. CABLE ATTACHMENT:
    - OUTER: SOLDER.
    - INNER: SOLDER.



SHRINK TUBE



|                                                                                            |             |
|--------------------------------------------------------------------------------------------|-------------|
| UNLESS OTHERWISE SPECIFIED LEADING DIMENSIONS ARE INCHES DIMENSIONS IN [ ] ARE MILLIMETERS |             |
| TOLERANCES:                                                                                | FRACTIONS   |
| X±.2 [5.08]                                                                                | +1/32       |
| XX±.01 [.25]                                                                               | ANGLES ± 1° |
| XXX±.005 [.13]                                                                             |             |
| ALL DIMENSIONS SHOWN ARE FOR REFERENCE ONLY.                                               |             |
| THIRD-ANGLE PROJECTION                                                                     |             |

|      |       |                                                                                                                                                                                                                                                                                                |             |
|------|-------|------------------------------------------------------------------------------------------------------------------------------------------------------------------------------------------------------------------------------------------------------------------------------------------------|-------------|
|      |       | 8TH FLOOR, BUILDING 1,<br>YONGFU SCIENCE AND TECHNOLOGY<br>CENTER INDUSTRIAL PARK, NANZHA DISTRICT<br>5, HUIJEN 523800, DONGGUAN, GUANGDONG, CHINA<br>WEBSITE: <a href="http://www.ebeestock.com">www.ebeestock.com</a><br>EMAIL: <a href="mailto:sales@ebeestock.com">sales@ebeestock.com</a> |             |
| SIZE | CAGE  | DRAWN BY                                                                                                                                                                                                                                                                                       | PART NUMBER |
| A    | 53919 | K.DANG                                                                                                                                                                                                                                                                                         | ET10017     |

|                                                                                                |     |     |   |
|------------------------------------------------------------------------------------------------|-----|-----|---|
| THE INFORMATION AND DESIGN IN THIS DOCUMENT IS THE PROPERTY OF EBEESTOCK. ALL RIGHTS RESERVED. |     |     |   |
| SHEET                                                                                          | OF  | REV |   |
| 1                                                                                              | 1   |     | A |
| SCALE                                                                                          | N/A |     |   |

THESE COMMODITIES, TECHNOLOGY OR SOFTWARE WERE EXPORTED FROM THE UNITED STATES IN ACCORDANCE WITH THE EXPORT ADMINISTRATION REGULATIONS. DIVERSION CONTRARY TO U.S. LAW PROHIBITED.