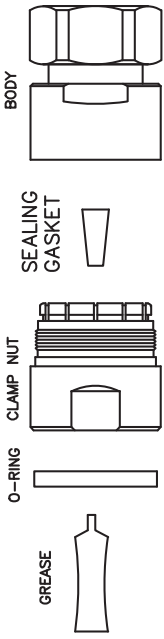
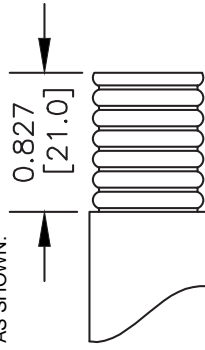
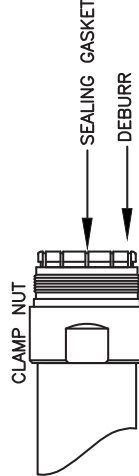
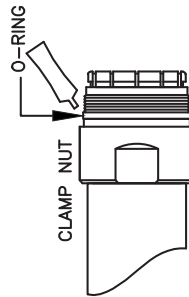
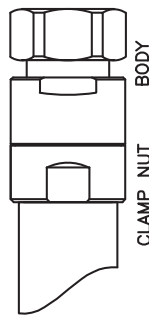
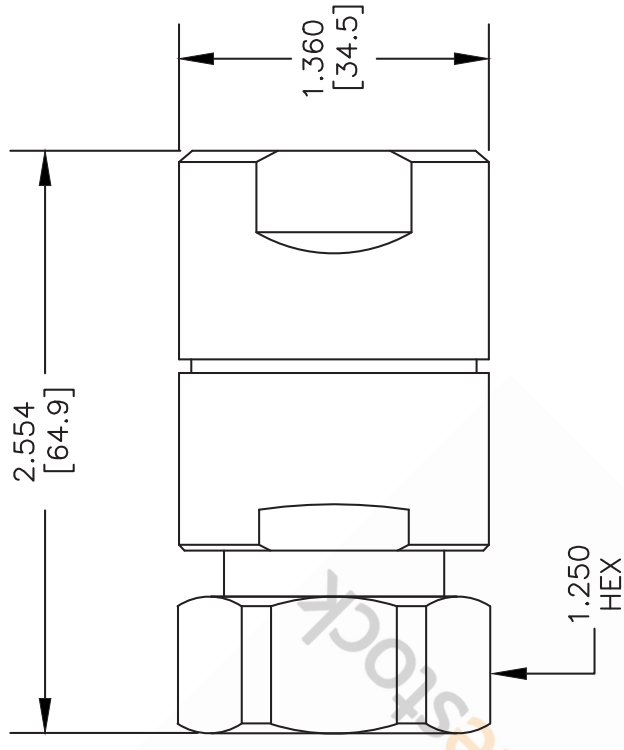



7/16 DIN Male Connector Clamp/Solder Attachment for 7/8 inch Annular



ASSEMBLY PROCEDURES

1. STRIP CABLE AS SHOWN.
 
2. INSTALL CLAMP NUT ONTO CABLE. FLAIR OUT INNER & OUTER CONDUCTOR. DEBURR INNER & OUTER CONDUCTOR. SLIDE GREASED SEALING GASKET INTO CENTER CONDUCTOR.
 
3. SLIDE O-RING OVER THREAD AND SEAT INTO PLACE. GREASE O-RING.
 
4. HOLD CLAMP NUT STEADY & SCREW INTO BODY. INJECT GREASE INTO HOLE OF CLAMP NUT. THEN TIGHTEN.
 

ebeestock
 8TH FLOOR, BUILDING 1, YONGFU SCIENCE AND TECHNOLOGY CENTER INDUSTRIAL PARK, NANZHA DISTRICT 5, HUMEN, 523900, DONG GUAN, GUANGDONG, CHINA
 WEBSITE: www.ebeestock.com
 EMAIL: sales@ebeestock.com

ET10051

FSCM NO. 53919

NOTES:
 1. UNLESS OTHERWISE SPECIFIED ALL DIMENSIONS ARE NOMINAL.
 2. ALL SPECIFICATIONS ARE SUBJECT TO CHANGE WITHOUT NOTICE AT ANY TIME.
 3. DIMENSIONS ARE IN INCHES (mm).
 4. FITS MIL-C-17 AND EQUIVALENT CABLES.

CAD FILE 090808-A

SCALE N/A

SIZE A

XXXX