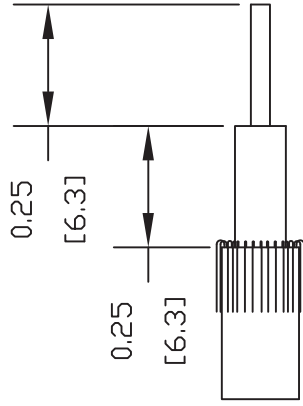
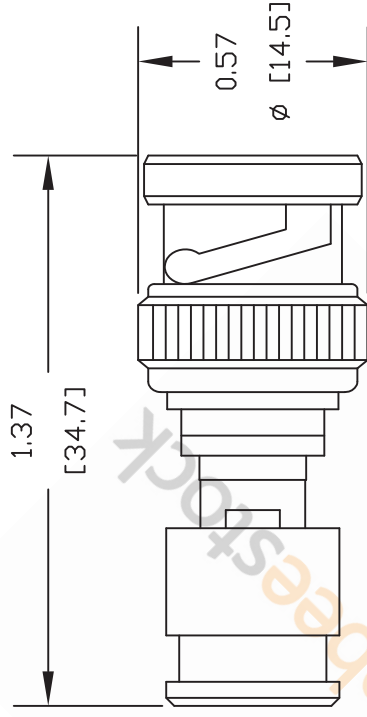


75 Ohm BNC Male Connector Compression Attachment for PE-B159, 1855A, Mini 59



STRIPPING DIMENSIONS
ASSEMBLY PROCEDURES

1. STRIP CABLE AS SHOWN [FOIL SHOULD REMAIN ON DIELECTRIC].
2. FOLD BRAID BACK OVER JACKET.
3. INSERT PREPARED CABLE IN TO CONNECTOR. PUSH CABLE FORWARD INTO CONNECTOR WHILE SLIGHTLY TWISTING CONNECTOR & COMPRESS USING PE5012.




ebeestock

8TH FLOOR, BUILDING 1, YONGFU SCIENCE AND TECHNOLOGY CENTER INDUSTRIAL PARK, NANZHA DISTRICT 5, HUMEN, 523900, DONGGUAN, GUANGDONG, CHINA

WEBSITE: www.ebeestock.com
EMAIL: sales@ebeestock.com

DWG TITLE
ET10117

- NOTES:
1. UNLESS OTHERWISE SPECIFIED ALL DIMENSIONS ARE NOMINAL.
 2. ALL SPECIFICATIONS ARE SUBJECT TO CHANGE WITHOUT NOTICE AT ANY TIME.
 3. DIMENSIONS ARE IN INCHES [mm].
 4. FITS MIL-C-17 AND EQUIVALENT CABLES.

REV. C	FSCM NO. 53919	CAD FILE 102511	SCALE N/A	SIZE A	2233
--------	----------------	-----------------	-----------	--------	------