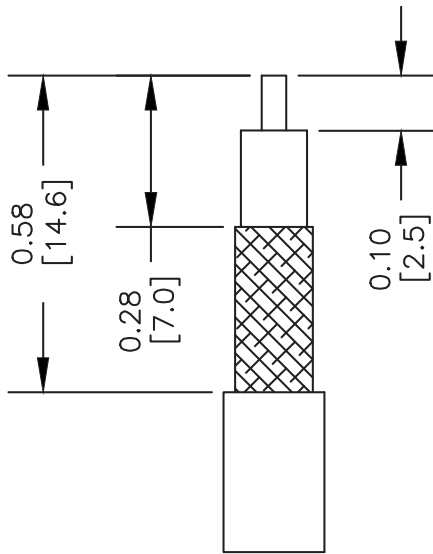
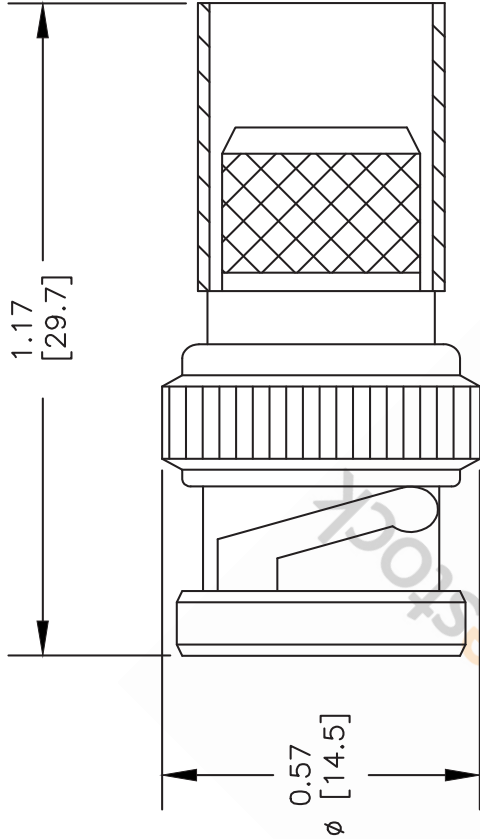


75 Ohm BNC Male Connector Crimp/Solder Attachment for 7731A



STRIPPING DIMENSIONS

CRIMP SIZE REQUIRED

CONTACT: .080" HEX CRIMP TOOL

FERRULE: .425" HEX CRIMP TOOL

NOTES:
 1. UNLESS OTHERWISE SPECIFIED ALL DIMENSIONS ARE NOMINAL.
 2. ALL SPECIFICATIONS ARE SUBJECT TO CHANGE WITHOUT NOTICE AT ANY TIME.
 3. DIMENSIONS ARE IN INCHES [mm].
 4. FITS MIL-C-17 AND EQUIVALENT CABLES.

ET10126	
FSCM NO. 53919	CAD FILE 060508
SCALE N/A	SIZE A
XXXX	


ebeestock
 3TH FLOOR, BUILDING 1, YONGFU SCIENCE AND TECHNOLOGY
 CENTER INDUSTRIAL PARK, NANZHA DISTRICT 5,
 HUMEN, 523900, DONGGUAN, GUANGDONG, CHINA
 WEBSITE: www.ebeestock.com
 EMAIL: sales@ebeestock.com