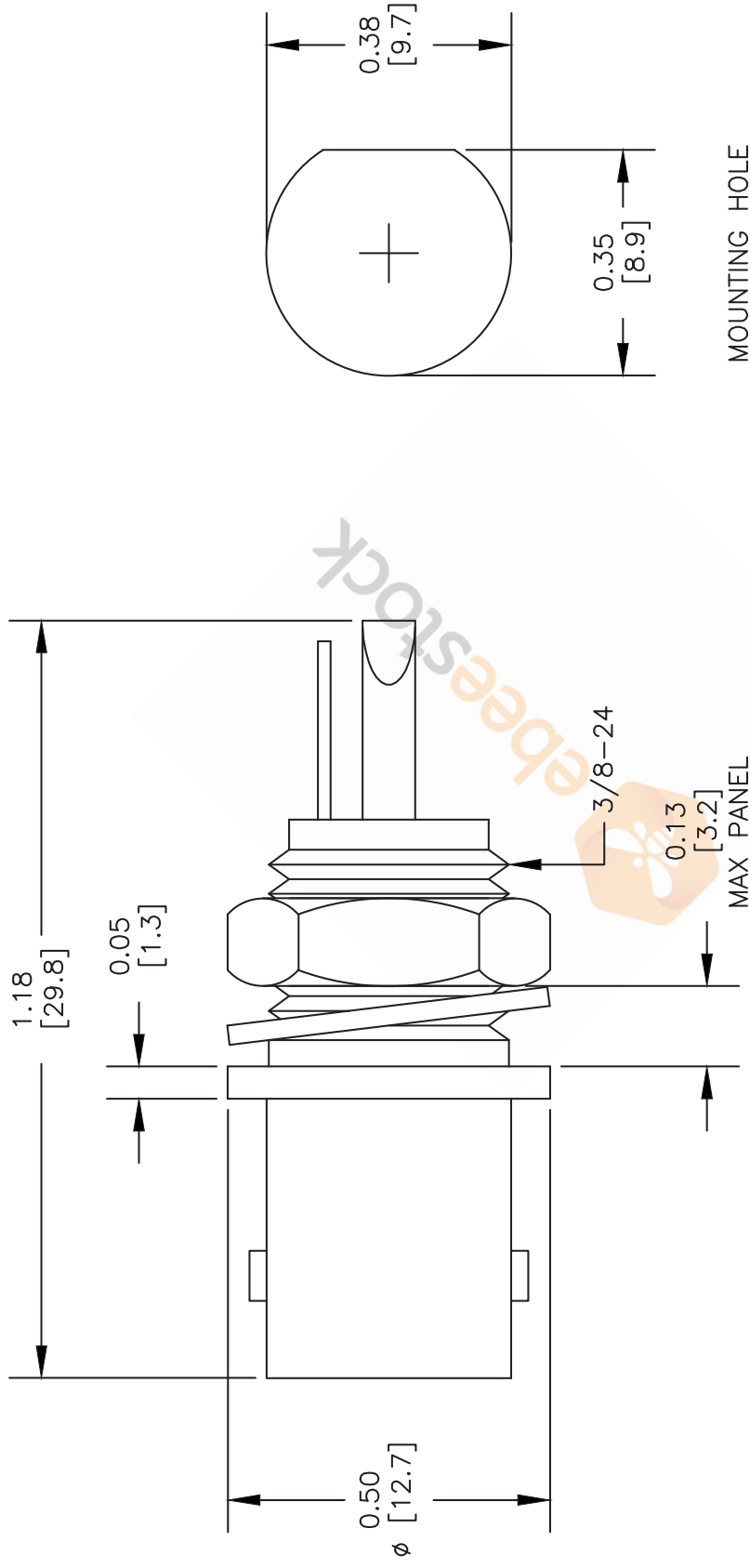


75 Ohm BNC Female Bulkhead Mount Isolated Ground
Connector Solder Attachment Solder Cup Terminal, .350 inch D
Hole



DWG TITLE

ET10161

NOTES:
1. UNLESS OTHERWISE SPECIFIED ALL DIMENSIONS ARE NOMINAL.
2. ALL SPECIFICATIONS ARE SUBJECT TO CHANGE WITHOUT NOTICE AT ANY TIME.
3. DIMENSIONS ARE IN INCHES [mm].

8TH FLOOR, BUILDING 1, YONGFU SCIENCE AND TECHNOLOGY
CENTER INDUSTRIAL PARK, NANZHA DISTRICT 5,
HUMEN, 523900, DONGGUAN, GUANGDONG, CHINA

WEBSITE: www.ebeestock.com
EMAIL: sales@ebeestock.com

ebeestock

REV. A

FSCM NO. 53919

CAD FILE 020812

SCALE N/A

SIZE A

2233