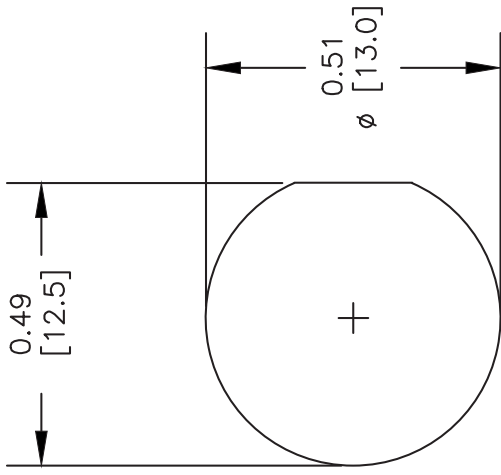
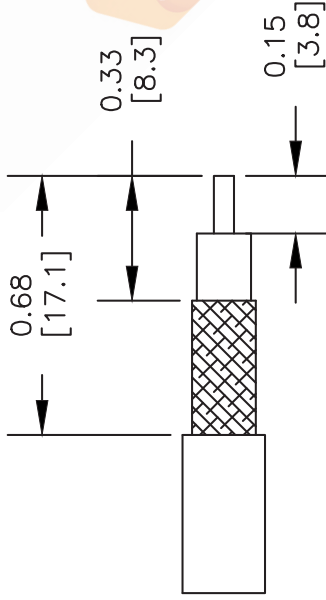


75 Ohm BNC Female Bulkhead Mount Connector Crimp/
Solder Attachment for PE-B150, RG180, RG195, .480 inch D
Hole



MOUNTING HOLE

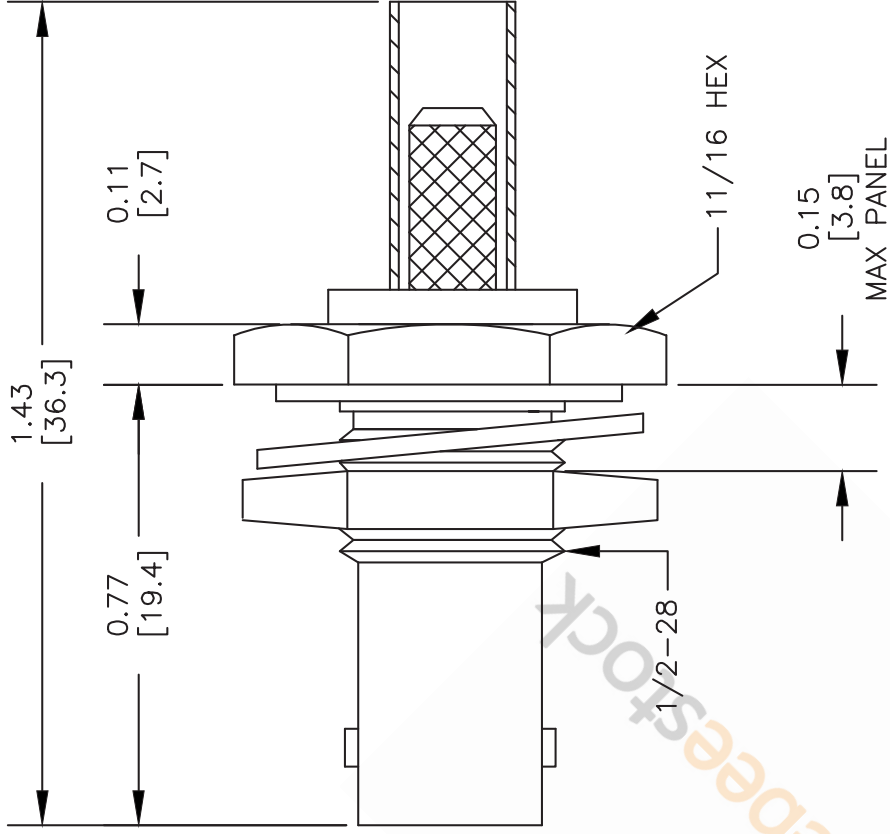


STRIPPING DIMENSIONS

CRIMP SIZE REQUIRED

CONTACT: .068" HEX CRIMP TOOL

FERRULE: .178" HEX CRIMP TOOL



DWG TITLE

ET10174

- NOTES:
1. UNLESS OTHERWISE SPECIFIED ALL DIMENSIONS ARE NOMINAL.
 2. ALL SPECIFICATIONS ARE SUBJECT TO CHANGE WITHOUT NOTICE AT ANY TIME.
 3. DIMENSIONS ARE IN INCHES [mm].
 4. FITS MIL-C-17 AND EQUIVALENT CABLES.

WEBSITE: www.ebeestock.com
EMAIL: sales@ebeestock.com

8TH FLOOR, BUILDING 1, YONGFU SCIENCE AND TECHNOLOGY
CENTER INDUSTRIAL PARK, NANZHA DISTRICT 5,
HUMEN, 523900, DONGGUAN, GUANGDONG, CHINA

REV. B FSCM NO. 53919

XXXX

SIZE A

SCALE N/A

CAD FILE 021513-B

