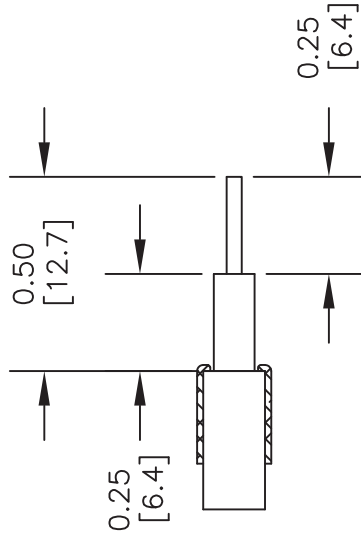
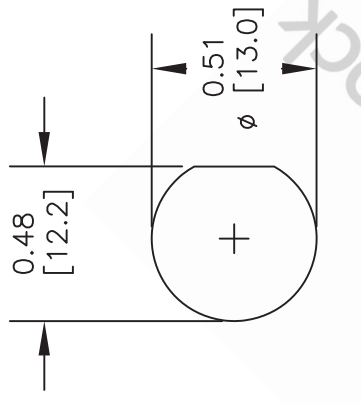


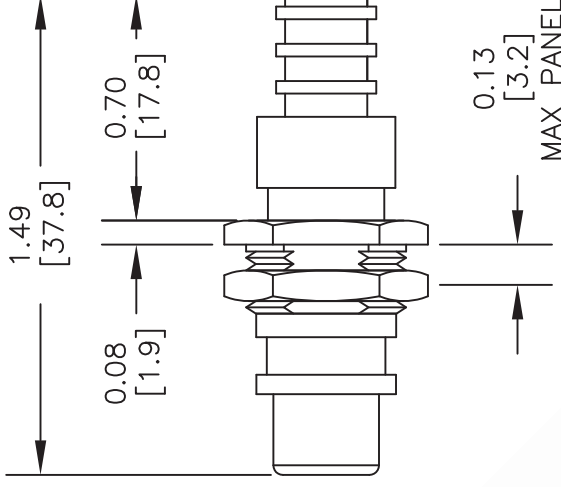
75 Ohm RCA Female Bulkhead Mount Connector Crimp/
Solder Attachment for PE-B159, 1855A, Mini 59, .480 inch D
Hole



STRIPPING DIMENSIONS



MOUNTING HOLE



ASSEMBLY PROCEDURES

1. STRIP CABLE AS SHOWN.
2. PUSH BRAID BACK AGAINST CABLE JACKET EVENLY.
3. INSERT CABLE INTO BODY WHILE TWISTING CONNECTOR SLIGHTLY AND CRIMP.

CRIMP SIZE REQUIRED

FERRULE: .255" HEX CRIMP TOOL

DWG TITLE

ET10204

NOTES:
1. UNLESS OTHERWISE SPECIFIED ALL DIMENSIONS ARE NOMINAL.
2. ALL SPECIFICATIONS ARE SUBJECT TO CHANGE WITHOUT NOTICE AT ANY TIME.
3. DIMENSIONS ARE IN INCHES [mm].
4. FITS MIL-C-17 AND EQUIVALENT CABLES.

8TH FLOOR, BUILDING 1, YONGFU SCIENCE AND TECHNOLOGY
CENTER INDUSTRIAL PARK, NANZHA DISTRICT 5,
HUMEN, 523900, DONGGUAN, GUANGDONG, CHINA

WEBSITE: www.ebeestock.com
EMAIL: sales@ebeestock.com



FSCM NO. 53919

CAD FILE 050514

SCALE N/A

SIZE A

2233