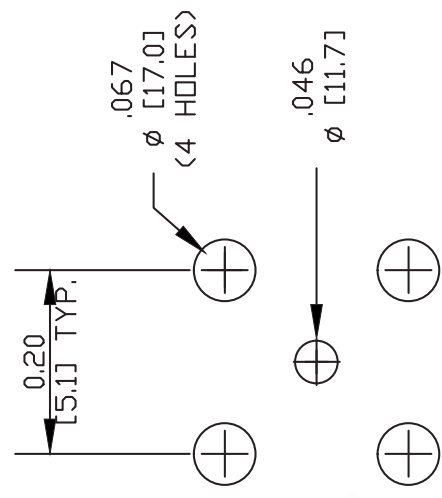
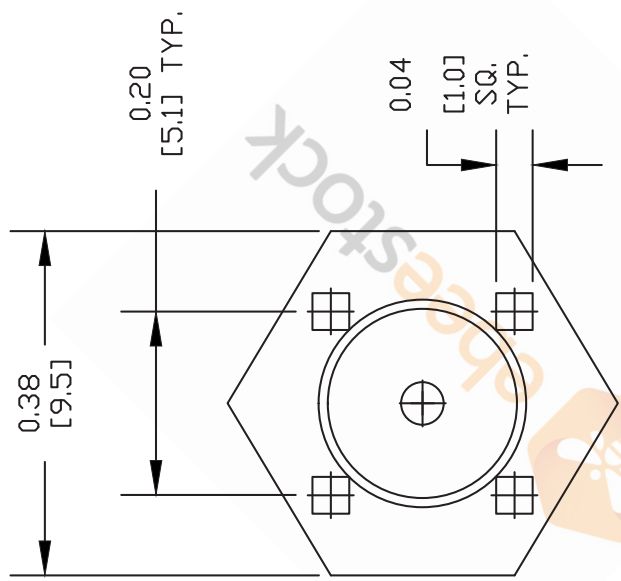
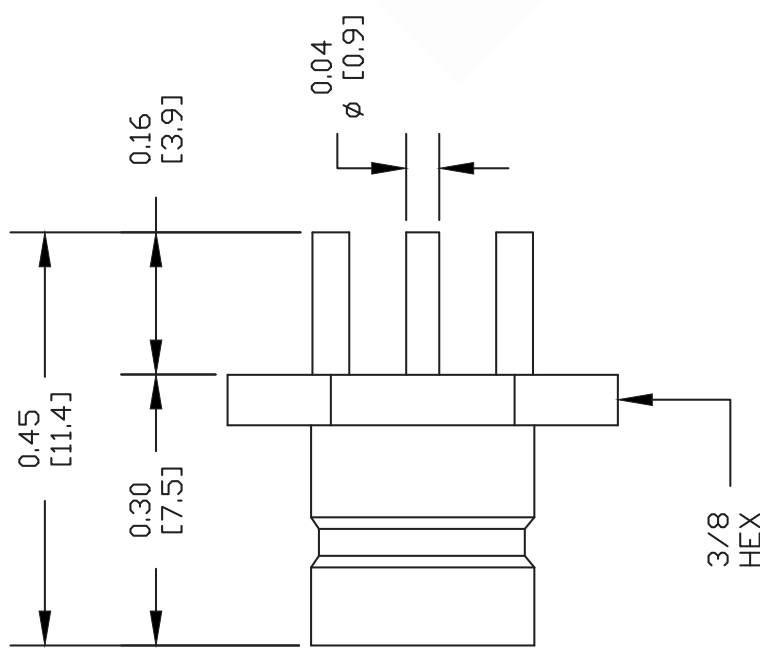



75 Ohm SMB Jack Connector Solder Attachment
 Thru Hole PCB, .200 inch x .067 inch Hole Spacing



MOUNTING HOLES



ebeeStock
 8TH FLOOR, BUILDING 1, YONGFU SCIENCE AND TECHNOLOGY
 CENTER INDUSTRIAL PARK, NANZHA DISTRICT 5,
 HUMEN, 523900, DONGGUAN, GUANGDONG, CHINA
 WEBSITE: www.ebeeStock.com
 EMAIL: sales@ebeeStock.com

DWG TITLE		FSCM NO. 53919		CAD FILE	072911	SCALE	N/A	SIZE	A	2231
ET10208										
NOTES: 1. UNLESS OTHERWISE SPECIFIED ALL DIMENSIONS ARE NOMINAL. 2. ALL SPECIFICATIONS ARE SUBJECT TO CHANGE WITHOUT NOTICE AT ANY TIME. 3. DIMENSIONS ARE IN INCHES [mm]. 4. FITS MIL-C-17 AND EQUIVALENT CABLES.										