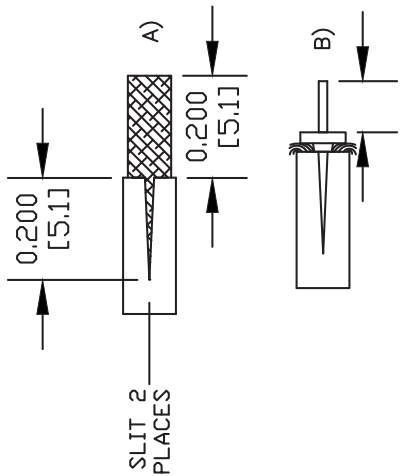
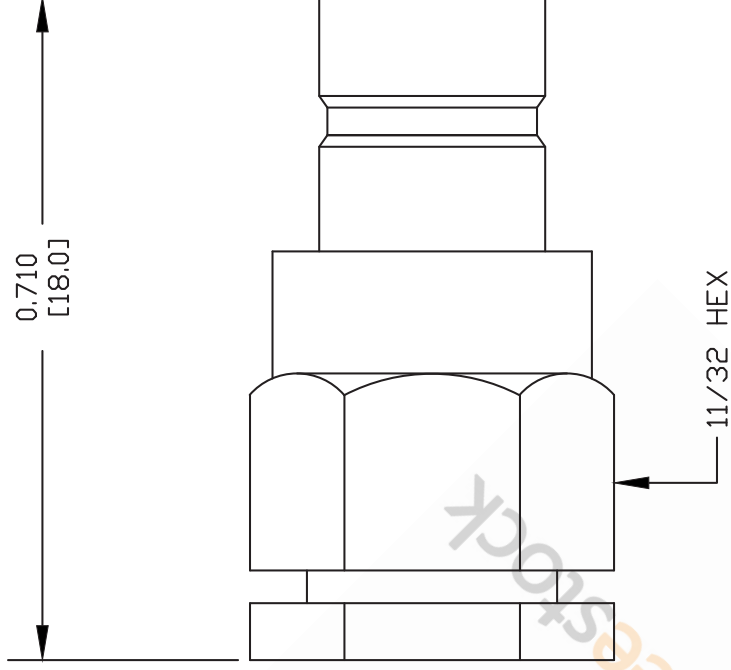
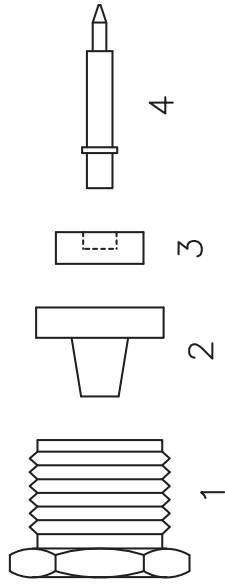



75 Ohm SMB Jack Connector Clamp/Solder Attachment for RG179, RG187



STRIPPING DIMENSIONS
ASSEMBLY PROCEDURES

1. SLIDE CLAMP NUT (1) OVER CABLE STRIP CABLE AS SHOWN IN (A) DO NOT NICK CENTER CONDUCTOR. SLIT JACKET IN 2 PLACES.
2. FLAIR BRAID & SLIDE BRAID CLAMP (2) UNDER BRAID WITH DIELECTRIC PROTRUDING THROUGH HOLE. CUT DIELECTRIC AS SHOWN IN (B) DO NOT NICK CENTER CONDUCTOR.
3. SLIDE PTFE (3) OVER CENTER CONDUCTOR. SOLDER CONTACT (4) TO CENTER CONDUCTOR.
4. INSTALL CABLE ASSEMBLY INTO BODY & TIGHTEN.



8TH FLOOR, BUILDING 1, YONGFU SCIENCE AND TECHNOLOGY CENTER INDUSTRIAL PARK, NANZHA DISTRICT 5, HUMEN, 523900, DONG GUAN, GUANGDONG, CHINA

WEBSITE: www.ebeestock.com
EMAIL: sales@ebeestock.com

DWG TITLE
ET10225

FSCM NO. 53919

NOTES:
1. UNLESS OTHERWISE SPECIFIED ALL DIMENSIONS ARE NOMINAL.
2. ALL SPECIFICATIONS ARE SUBJECT TO CHANGE WITHOUT NOTICE AT ANY TIME.
3. DIMENSIONS ARE IN INCHES [mm].
4. FITS MIL-C-17 AND EQUIVALENT CABLES.

CAD FILE 061402 SCALE N/A SIZE A 127