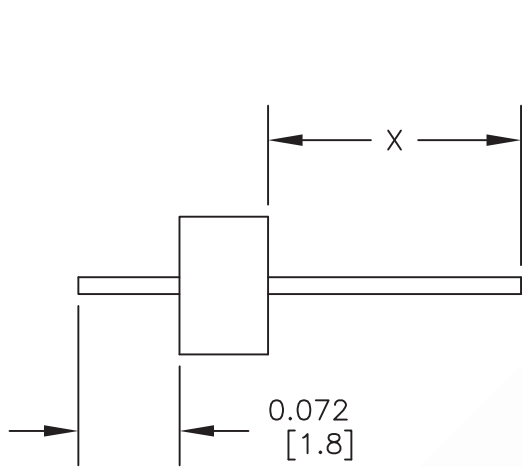
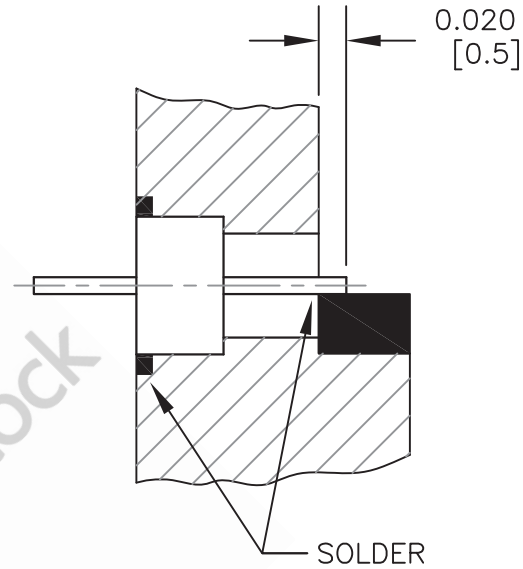


BMA Plug Slide-On Field Replaceable Connector With EMI Gasket 2
Hole Flange Mount .012 inch Pin, .481 inch Hole Spacing, With EMI
Gasket



GLASS BEAD (PE1001-1)



GLASS BEAD

1. Adjust X by cutting the pin if necessary.
 2. Introduce the glass bead into its housing.
 3. Solder the pin onto the substrate and the bead into the housing.
- Beware of putting too much solder.

STANDARD TOLERANCES

.X	±0.2
.XX	±0.1
.XXX	±0.05

*STANDARD TOLERANCES APPLY ONLY TO DIMENSIONS IN INCHES



8TH FLOOR, BUILDING 1, YONGFU SCIENCE AND TECHNOLOGY
CENTER INDUSTRIAL PARK, NANZHA DISTRICT 5,
HUMEN, 523900, DONGGUAN, GUANGDONG, CHINA

WEBSITE: www.ebeestock.com
EMAIL: sales@ebeestock.com

DWG TITLE

ET10301

NOTES:

1. UNLESS OTHERWISE SPECIFIED ALL DIMENSIONS ARE NOMINAL.
2. ALL SPECIFICATIONS ARE SUBJECT TO CHANGE WITHOUT NOTICE AT ANY TIME.
3. DIMENSIONS ARE IN INCHES [mm].

CAGE CODE 53919

CAD FILE 021017

SCALE N/A

SIZE A

2233