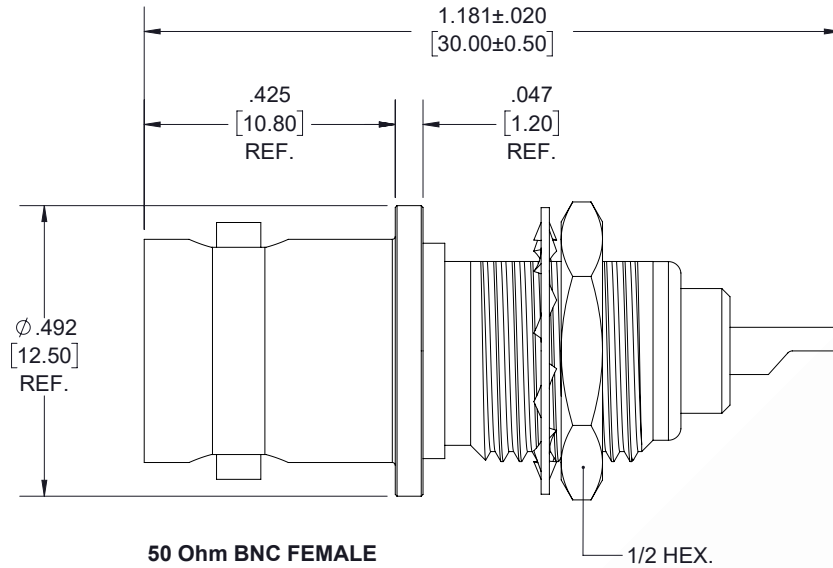


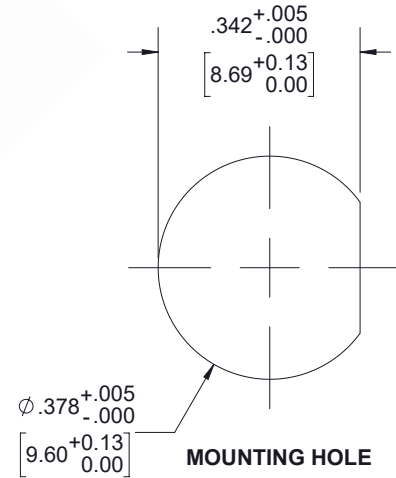
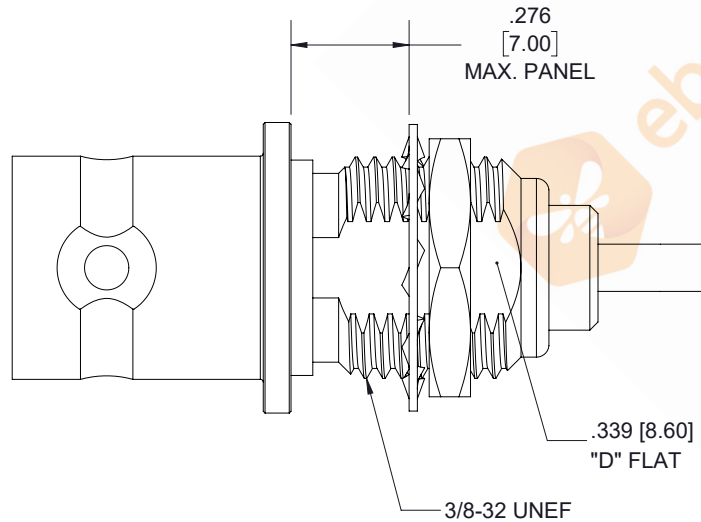
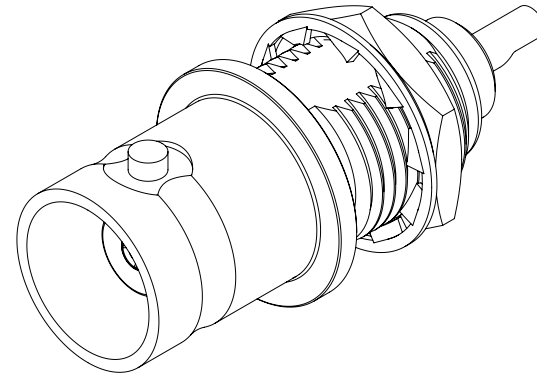
BNC Female Bulkhead Mount Connector Solder Attachment

Solder Cup Terminal, .350 inch D Hole

REVISIONS			
REV.	DESCRIPTION	DATE	APPROVED
A-5	PCR PE4015 01212019	02/11/19	J.GARCIA



50 Ohm BNC FEMALE BULKHEAD



UNLESS OTHERWISE SPECIFIED LEADING DIMENSIONS ARE INCHES DIMENSIONS IN [] ARE MILLIMETERS TOLERANCES: .X=± 2 [5.08] FRACTIONS ± 1/32 .XX=± 01 [.25] ANGLES ± 1° .XXX=± .005 [.13]		<p>8TH FLOOR, BUILDING 1, YONGFU SCIENCE AND TECHNOLOGY CENTER INDUSTRIAL PARK, NANZHA DISTRICT 5,HUMEN,523900,DONGGUAN, GUANGDONG, CHINA</p> <p>WEBSITE: www.ebeestock.com EMAIL: sales@ebeestock.com</p>	THE INFORMATION AND DESIGN IN THIS DOCUMENT IS THE PROPERTY OF EBEEESTOCK. ALL RIGHTS RESERVED.	
ALL DIMENSIONS SHOWN ARE FOR REFERENCE ONLY. THIRD-ANGLE PROJECTION			SHEET 1 OF 1 SCALE N/A	
THESE COMMODITIES, TECHNOLOGY OR SOFTWARE WERE EXPORTED FROM THE UNITED STATES IN ACCORDANCE WITH THE EXPORT ADMINISTRATION REGULATIONS. DIVERSION CONTRARY TO U.S. LAW PROHIBITED.	SIZE A CAGE 53919 DRAWN BY K.DANG PART NUMBER ET10316 REV 1			