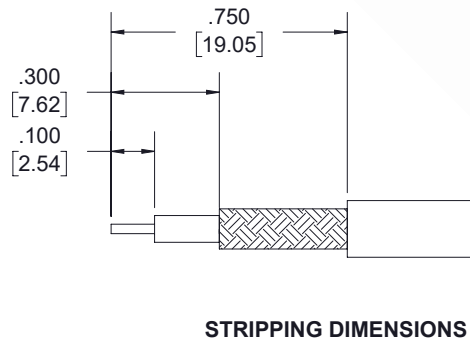
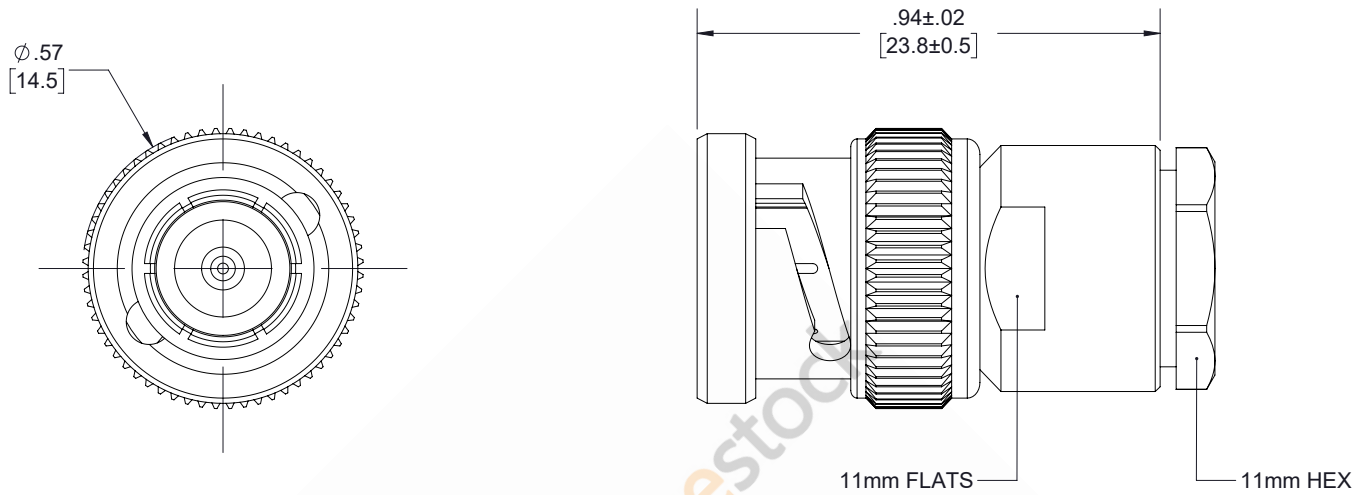


BNC Male Connector Clamp/Solder Attachment for PE-SR405AL, PE-SR405FL, RG405

REVISIONS			
REV.	DESCRIPTION	DATE	APPROVED
1.1	PCR PE4207 20190411	04/27/19	J.GARCIA



- NOTES:**
- CABLE ATTACHMENT:
 - OUTER: CLAMP.
 - INNER: SOLDER.

UNLESS OTHERWISE SPECIFIED LEADING DIMENSIONS ARE INCHES DIMENSIONS IN [] ARE MILLIMETERS		 <p>8TH FLOOR, BUILDING 1, YONGFU SCIENCE AND TECHNOLOGY CENTER INDUSTRIAL PARK, NANZHA DISTRICT 5,HUMEN,523900,DONGGUAN, GUANGDONG, CHINA</p> WEBSITE: www.ebeestock.com EMAIL: sales@ebeestock.com		THE INFORMATION AND DESIGN IN THIS DOCUMENT IS THE PROPERTY OF EBEESTOCK. ALL RIGHTS RESERVED.		
TOLERANCES: .X±.2 [5.08] FRACTIONS ± 1/32 .XX±.01 [.25] ANGLES ± 1° .XXX±.005 [.13]				SHEET 1 OF 2		
ALL DIMENSIONS SHOWN ARE FOR REFERENCE ONLY.		SCALE N/A				
THIRD-ANGLE PROJECTION 		SIZE A	CAGE 53919	DRAWN BY K.DANG	PART NUMBER ET10343	REV 1.1

THESE COMMODITIES, TECHNOLOGY OR SOFTWARE WERE EXPORTED FROM THE UNITED STATES IN ACCORDANCE WITH THE EXPORT ADMINISTRATION REGULATIONS. DIVERSION CONTRARY TO U.S. LAW PROHIBITED.