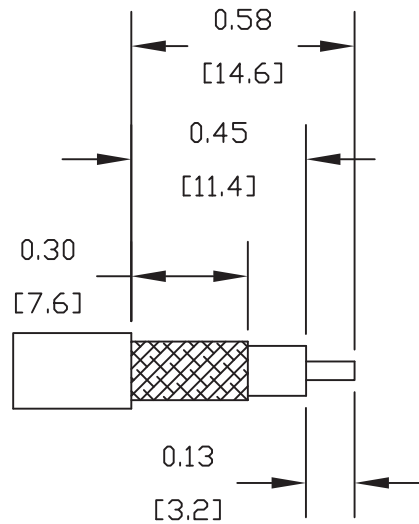


BNC Male Connector Crimp/Solder Attachment for RG58 Plenum, RG122, RG58-P

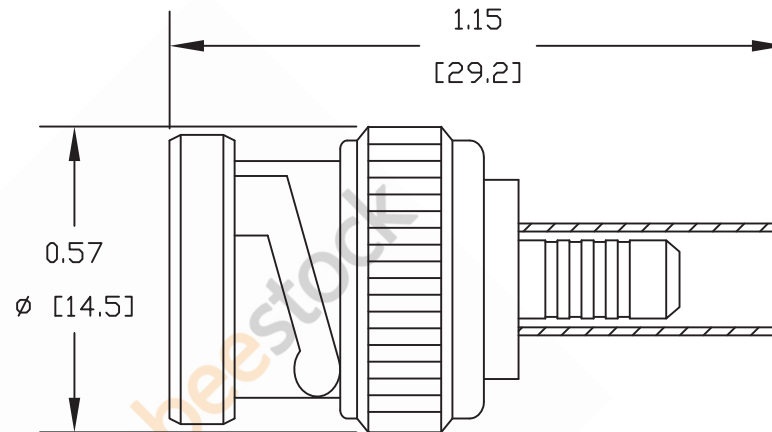


STRIPPING DIMENSIONS

CRIMP SIZES REQUIRED

CONTACT: 068

FERRULE: .178" HEX CRIMP TOOL



DWG TITLE

ET10364

NOTES:

1. UNLESS OTHERWISE SPECIFIED ALL DIMENSIONS ARE NOMINAL.
2. ALL SPECIFICATIONS ARE SUBJECT TO CHANGE WITHOUT NOTICE AT ANY TIME.
3. DIMENSIONS ARE IN INCHES [mm].
4. FITS MIL-C-17 AND EQUIVALENT CABLES.

REV. -

FSCM NO. 53919

CAD FILE 071802

SCALE N/A

SIZE A

127



8TH FLOOR, BUILDING 1, YONGFU SCIENCE AND TECHNOLOGY
CENTER INDUSTRIAL PARK, NANZHA DISTRICT 5,
HUMEN, 523900, DONGGUAN, GUANGDONG, CHINA

WEBSITE: www.ebeestock.com

EMAIL: sales@ebeestock.com

ebeestock