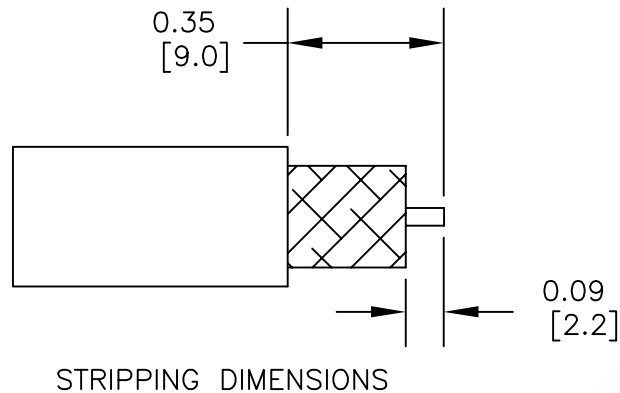
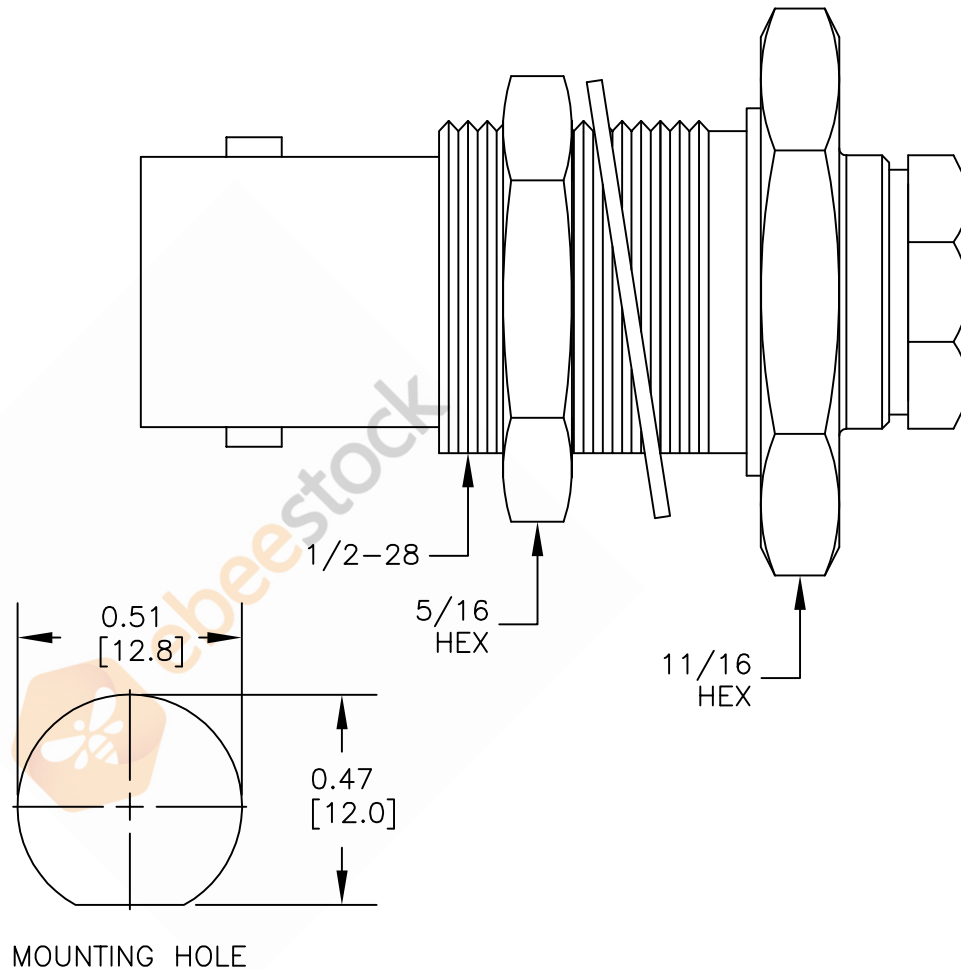


BNC Female Bulkhead Mount Connector Clamp/
Solder Attachment for RG316-DS, RG188-DS, IP67
Rated



ASSEMBLY PROCEDURES

1. TRIM CABLE AS SHOWN
2. SLIDE FERRULE & BACK NUT ONTO CABLE
3. CRIMP FERRULE
4. CRIMP OR SOLDER BULLET CONTACT TO CABLE CENTER CONDUCTOR INSERT CABLE WITH BULLET CONTACT INTO BODY
5. APPLY THREAD LOCKING ADHESIVE ON THE THREADS OF THE BACK NUT
6. TORQUE BACK NUT DOWN TO 15 IN-LB



CRIMP SIZE REQUIRED

CONTACT: CRIMP OR SOLDER
FERRULE: .128" HEX CRIMP TOOL



8TH FLOOR, BUILDING 1, YONGFU SCIENCE AND TECHNOLOGY
CENTER INDUSTRIAL PARK, NANZHA DISTRICT 5,
HUMEN, 523900, DONGGUAN, GUANGDONG, CHINA

ebeestock

WEBSITE: www.ebeestock.com
EMAIL: sales@ebeestock.com

DWG TITLE

ET10391

NOTES:

1. UNLESS OTHERWISE SPECIFIED ALL DIMENSIONS ARE NOMINAL.
2. ALL SPECIFICATIONS ARE SUBJECT TO CHANGE WITHOUT NOTICE AT ANY TIME.
3. DIMENSIONS ARE IN INCHES [mm].

FSCM NO. 53919

CAD FILE 061014

SCALE N/A

SIZE A

150