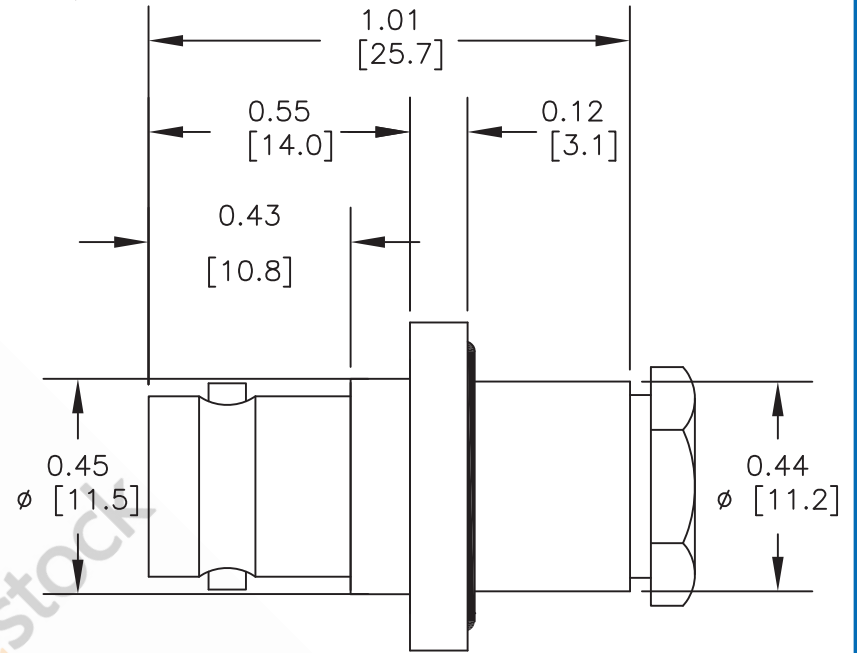
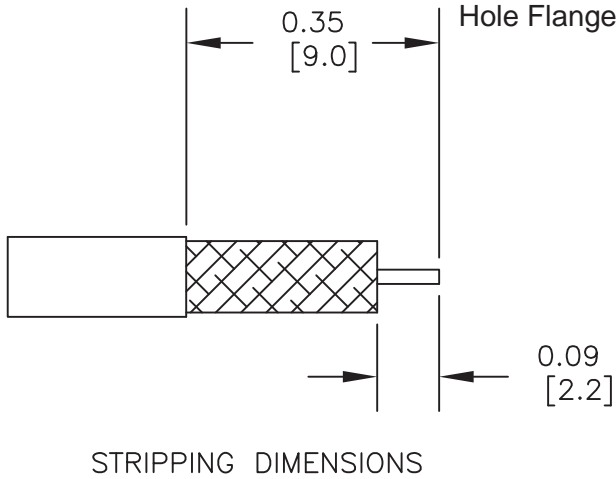
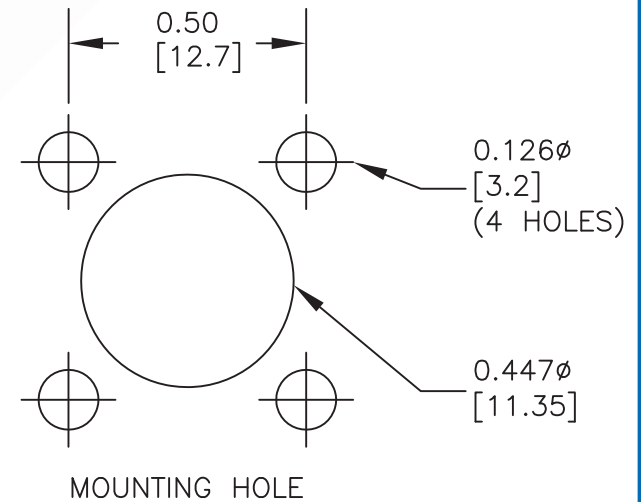
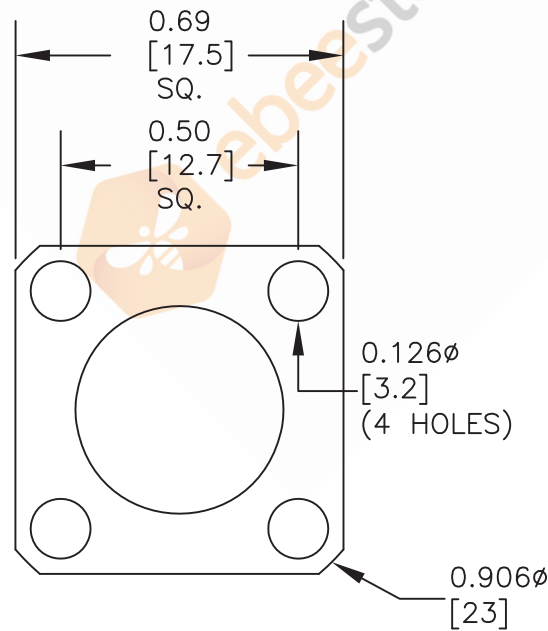


BNC Female Connector Clamp/Solder Attachment 4
Hole Flange Mount for RG316-DS, RG188-DS, IP67
Rated



ASSEMBLY PROCEDURES

1. STRIP CABLE AS SHOWN. DO NOT NICK THE CENTER CONDUCTOR.
2. INSERT CLAMP NUT THROUGH THE CABLE.
3. SLIDE FERRULE OVER THE CABLE
4. INSERT BODY CHASSIS
5. SLIDE FERRULE TO THE BODY OVER THE BRAID
6. INSERT TEFLON AND SOLDER CONTACT ON CENTER CONDUCTOR
7. CRIMP FERRULE
8. ASSEMBLE INTO THE CONNECTOR BODY, SCREW BUT INTO BODY.



8TH FLOOR, BUILDING 1, YONGFU SCIENCE AND TECHNOLOGY
CENTER INDUSTRIAL PARK, NANZHA DISTRICT 5,
HUMEN, 523900, DONGGUAN, GUANGDONG, CHINA

ebeestock

WEBSITE: www.ebeestock.com
EMAIL: sales@ebeestock.com

DWG TITLE

ET10392

NOTES:

1. UNLESS OTHERWISE SPECIFIED ALL DIMENSIONS ARE NOMINAL.
2. ALL SPECIFICATIONS ARE SUBJECT TO CHANGE WITHOUT NOTICE AT ANY TIME.
3. DIMENSIONS ARE IN INCHES [mm].

FSCM NO. 53919

CAD FILE 091214

SCALE N/A

SIZE A

150