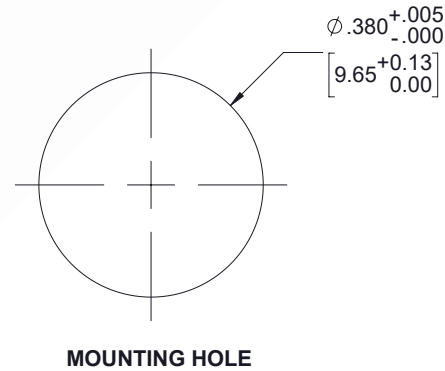
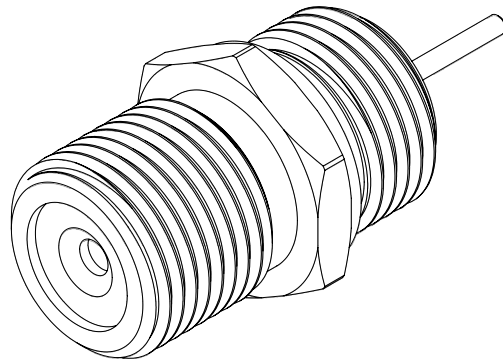
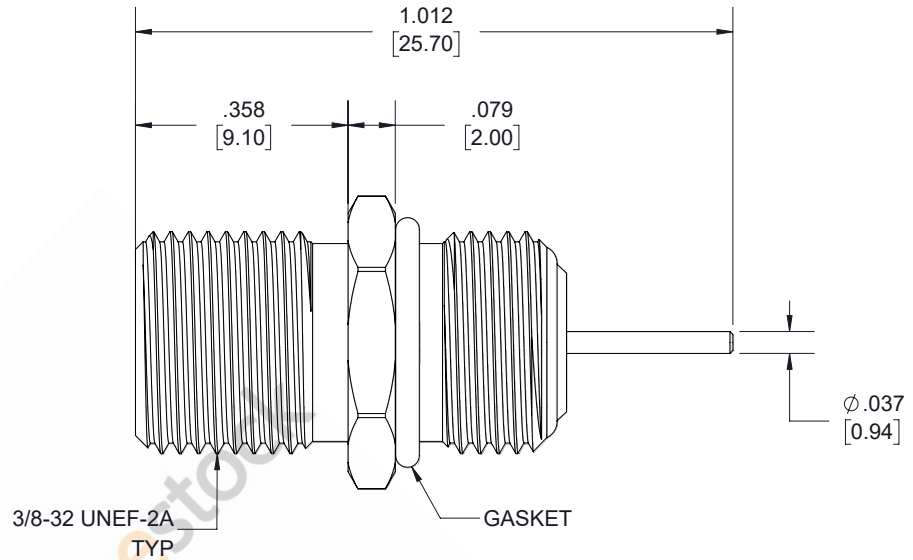
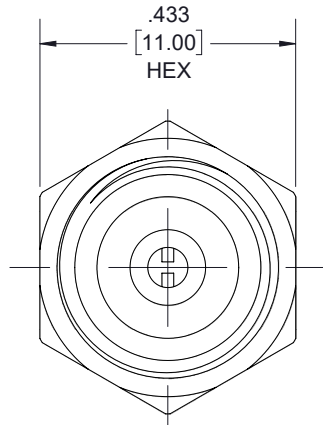


75 Ohm F Female Connector Solder Attachment Thread-In Mount Pin Terminal, .380 inch Diameter

| REVISIONS | | | |
|-----------|----------------------|----------|----------|
| REV. | DESCRIPTION | DATE | APPROVED |
| 1.2 | PCR PE44330 20190510 | 05/14/19 | S.ELLIS |



THESE COMMODITIES, TECHNOLOGY OR SOFTWARE WERE EXPORTED FROM THE UNITED STATES IN ACCORDANCE WITH THE EXPORT ADMINISTRATION REGULATIONS. DIVERSION CONTRARY TO U.S. LAW PROHIBITED.

| | | | | | |
|---|--|--|------------|---|---------|
| UNLESS OTHERWISE SPECIFIED LEADING DIMENSIONS ARE INCHES DIMENSIONS IN [] ARE MILLIMETERS | | <b style="font-size: large;">ebeestock | | THE INFORMATION AND DESIGN IN THIS DOCUMENT IS THE PROPERTY OF EBEEESTOCK. ALL RIGHTS RESERVED. | |
| TOLERANCES: .X=± .2 [5.08] FRACTIONS ± 1/32 .XX=± .01 [.25] ANGLES ± 1° .XXX=± .005 [.13] | | 8TH FLOOR, BUILDING 1, YONGFU SCIENCE AND TECHNOLOGY CENTER INDUSTRIAL PARK, NANZHA DISTRICT 5, HUMEN, 523900, DONGGUAN, GUANGDONG, CHINA | | SHEET 1 OF 1 SCALE N/A | |
| ALL DIMENSIONS SHOWN ARE FOR REFERENCE ONLY. | | WEBSITE: www.ebeestock.com EMAIL: sales@ebeestock.com | | PART NUMBER ET10550 | |
| THIRD-ANGLE PROJECTION | | SIZE A | CAGE 53919 | DRAWN BY K.DANG | REV 1.2 |