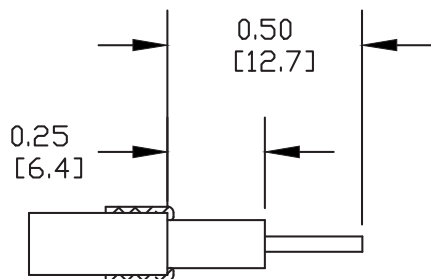


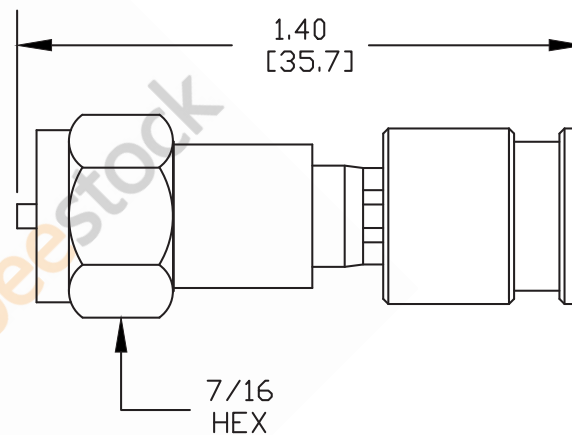
75 Ohm F Male Connector Compression Attachment for PE-B159, 1855A, Mini 59



STRIPPING DIMENSIONS

ASSEMBLY PROCEDURES

1. STRIP CABLE AS SHOWN.
2. PUSH BRAID BACK AGAINST CABLE JACKET EVENLY.
3. INSERT CABLE INTO BODY WHILE TWISTING CONNECTOR SLIGHTLY.
4. INSERT ASSEMBLY INTO COMPRESSION TOOL & COMPRESS USING A PE5012.



DWG TITLE

ET10556

NOTES:

1. UNLESS OTHERWISE SPECIFIED ALL DIMENSIONS ARE NOMINAL.
2. ALL SPECIFICATIONS ARE SUBJECT TO CHANGE WITHOUT NOTICE AT ANY TIME.
3. DIMENSIONS ARE IN INCHES [mm].
4. FITS MIL-C-17 AND EQUIVALENT CABLES.



8TH FLOOR, BUILDING 1, YONGFU SCIENCE AND TECHNOLOGY
CENTER INDUSTRIAL PARK, NANZHA DISTRICT 5,
HUMEN, 523900, DONGGUAN, GUANGDONG, CHINA

WEBSITE: www.ebeestock.com
EMAIL: sales@ebeestock.com

REV. C

FSCM NO. 53919

CAD FILE 102511

SCALE N/A

SIZE A

2233