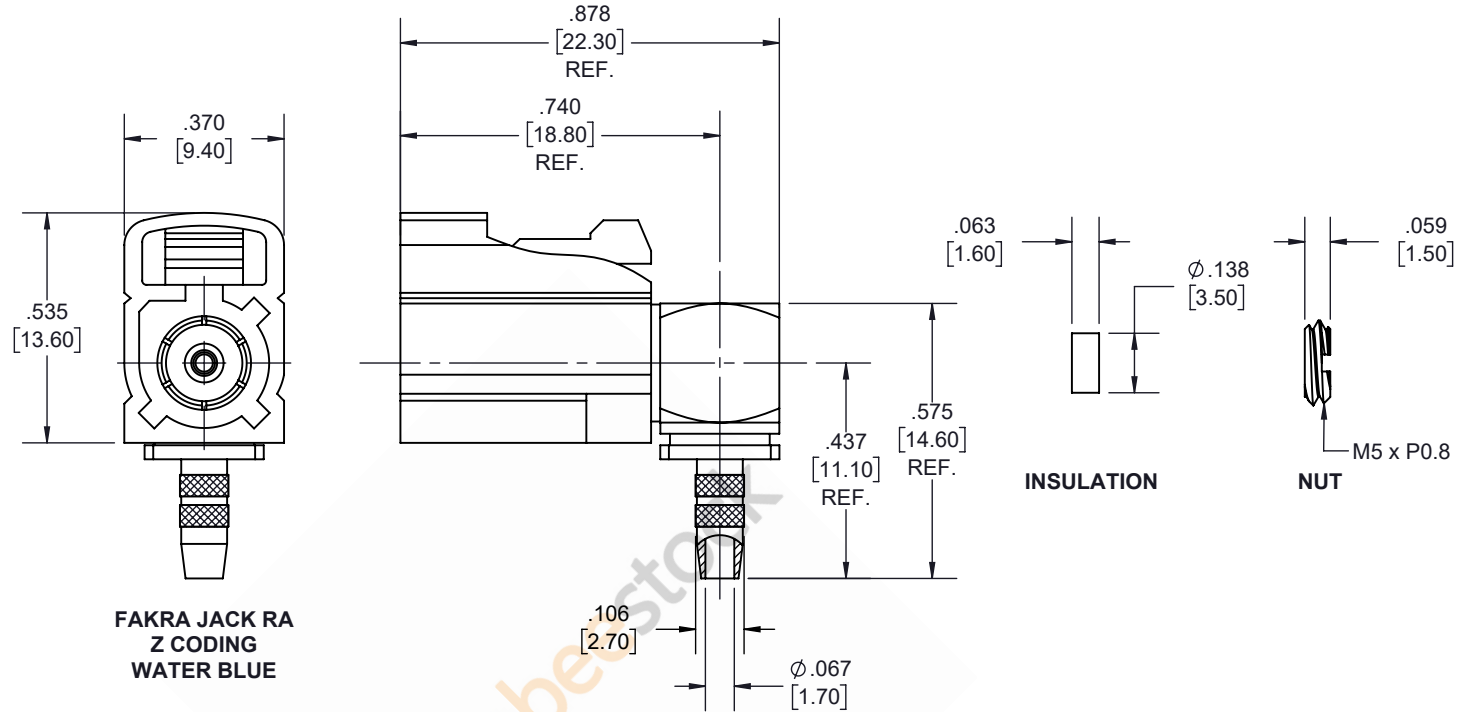


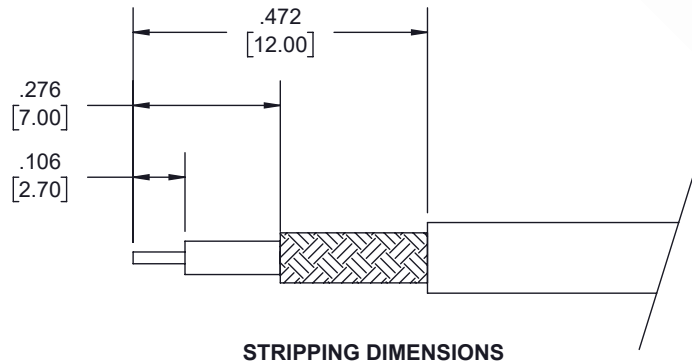
FAKRA Jack Right Angle Connector Crimp/Solder Attachment for RG316, RG188, .100 inch, PE-B100, PE-C100, LMR-100, Water Blue Color

FAKRA CONFIGURATION			
CODING	JACK	COLOR	APPLICATION
A		BLACK	RADIO WITH PHANTOM SUPPLY
B		WHITE	RADIO WITHOUT PHANTOM SUPPLY
C		BLUE	GPS: TELEMATICS OR NAVIGATION
D		BORDEAUX	GSM: CELLULAR PHONE
H		VIOLET	GPS: TELEMATICS AND NAVIGATION
I		BEIGE	BLUETOOTH
K		CURRY	RADIO WITH IF OUTPUT (ANTENNA DIVERSITY)
Z		WATER BLUE	NEUTRAL CODING

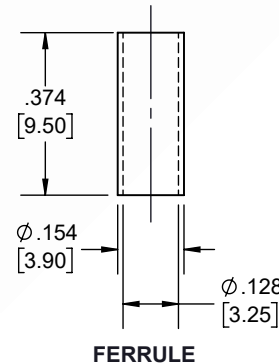
REVISIONS			
REV.	DESCRIPTION	DATE	APPROVED
A	INITIAL RELEASE	09/22/19	S.ELLIS



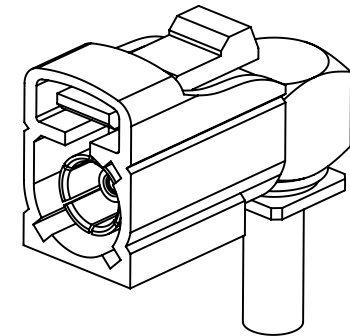
FAKRA JACK RA  
Z CODING  
WATER BLUE



STRIPPING DIMENSIONS



FERRULE



NOTES:

- CABLE ATTACHMENT:
  - OUTER: CRIMP.
  - INNER: SOLDER.
- CRIMP SIZE REQUIRED:
  - FERRULE: .128 [3.25] HEX. CRIMP TOOL
  - CONTACT: SOLDER.

THESE COMMODITIES, TECHNOLOGY OR SOFTWARE WERE EXPORTED FROM THE UNITED STATES IN ACCORDANCE WITH THE EXPORT ADMINISTRATION REGULATIONS. DIVERSION CONTRARY TO U.S. LAW PROHIBITED.

UNLESS OTHERWISE SPECIFIED LEADING DIMENSIONS ARE INCHES DIMENSIONS IN [ ] ARE MILLIMETERS		<p>8TH FLOOR, BUILDING 1, YONGFU SCIENCE AND TECHNOLOGY CENTER INDUSTRIAL PARK, NANZHA DISTRICT 5, HUMEN, 523900, DONGGUAN, GUANGDONG, CHINA</p> <p>WEBSITE: <a href="http://www.ebeestock.com">www.ebeestock.com</a> EMAIL: <a href="mailto:sales@ebeestock.com">sales@ebeestock.com</a></p>		THE INFORMATION AND DESIGN IN THIS DOCUMENT IS THE PROPERTY OF EBEESTOCK. ALL RIGHTS RESERVED.											
<p><b>TOLERANCES:</b></p> <table border="0"> <tr> <td>.X±.2</td> <td>[5.08]</td> <td>FRACTIONS</td> <td>± 1/32</td> </tr> <tr> <td>.XX±.01</td> <td>[.25]</td> <td>ANGLES</td> <td>± 1°</td> </tr> <tr> <td>.XXX±.005</td> <td>[.13]</td> <td></td> <td></td> </tr> </table>				.X±.2	[5.08]	FRACTIONS	± 1/32	.XX±.01	[.25]	ANGLES	± 1°	.XXX±.005	[.13]		
.X±.2	[5.08]	FRACTIONS	± 1/32												
.XX±.01	[.25]	ANGLES	± 1°												
.XXX±.005	[.13]														
ALL DIMENSIONS SHOWN ARE FOR REFERENCE ONLY.		SCALE N/A													
THIRD-ANGLE PROJECTION		SIZE	CAGE	DRAWN BY	PART NUMBER										
		A	53919	K.DANG	ET10582										
		REV	A												