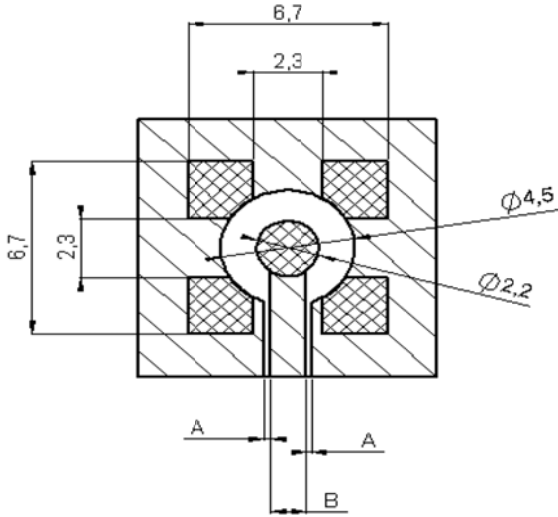
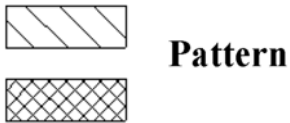


MMBX Plug Slide-On Connector Solder Attachment
Surface Mount PCB, With Male Center Contact



PCB

COPLANAR LINE
Pattern and signal are on the same side
The material of PCB is epoxy resin (FR4).
(Er = 4.6)
The solder resist should be printed
Except for the land pattern on the PCB



APPLICATION 75Ω
WITH B = 0.55 mm
0.0216 Inches

PCB Thickness [mm] Inches	Coplanar Ligne A [mm] Inches
0.0314 [0.8]	0.0137 [0.350]
0.0393 [1.0]	0.0141 [0.360]
0.0472 [1.2]	0.0143 [0.365]
0.0629 [1.6]	0.0147 [0.375]

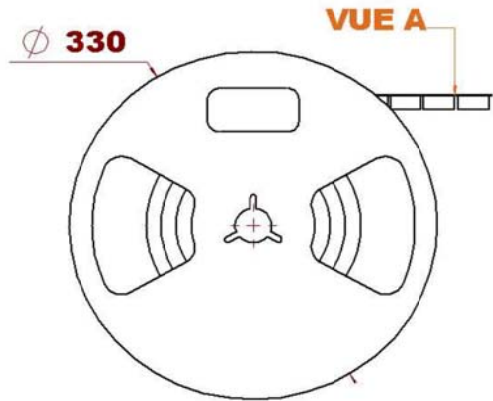
APPLICATION 50Ω
WITH B = 1.2 mm
0.0472 Inches

PCB Thickness [mm] Inches	Coplanar Ligne A [mm] Inches
0.0314 [0.8]	0.0074 [0.190]
0.0393 [1.0]	0.0078 [0.200]
0.0472 [1.2]	0.0080 [0.205]
0.0629 [1.6]	0.0082 [0.210]

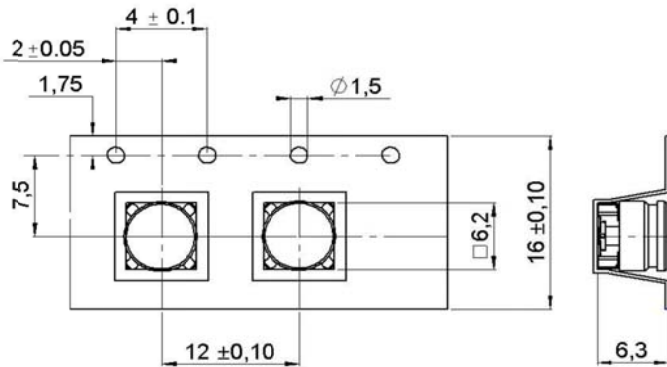
STANDARD TOLERANCES

.X ±0.2
.XX ±0.1
.XXX ±0.05

*STANDARD TOLERANCES APPLY
ONLY TO DIMENSIONS IN INCHES



VUE A



8TH FLOOR, BUILDING 1, YONGFU SCIENCE AND TECHNOLOGY
CENTER INDUSTRIAL PARK, NANZHA DISTRICT 5,
HUMEN, 523900, DONGGUAN, GUANGDONG, CHINA

WEBSITE: www.ebeestock.com
EMAIL: sales@ebeestock.com

DWG TITLE

ET10787

NOTES:

1. UNLESS OTHERWISE SPECIFIED ALL DIMENSIONS ARE NOMINAL.
2. ALL SPECIFICATIONS ARE SUBJECT TO CHANGE WITHOUT NOTICE AT ANY TIME.
3. DIMENSIONS ARE IN INCHES [mm].

FSCM NO. 53919

CAD FILE 092816

SCALE N/A

SIZE A

2233