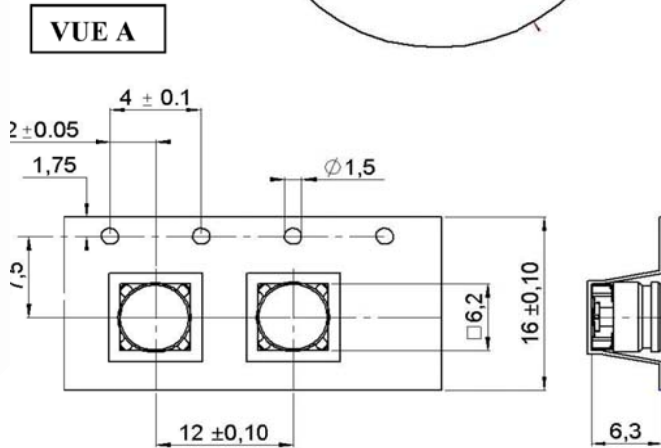
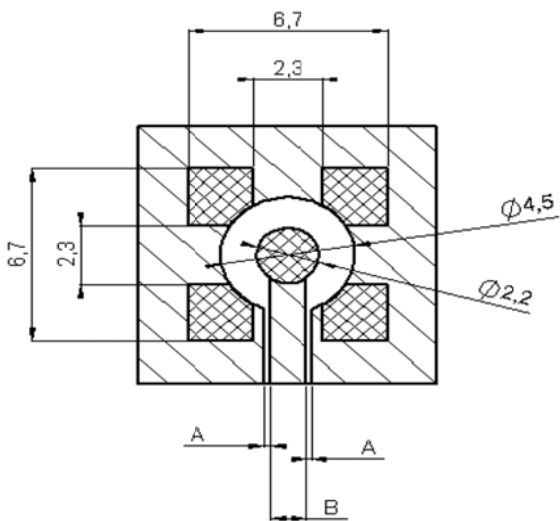


MMBX Plug Slide-On Connector Solder Attachment Surface Mount PCB, With Male Center Contact, 1 Reel Contains 750 pieces

**PCB**

**COPLANAR LINE**  
 Pattern and signal are on the same side  
 The material of PCB is epoxy resin (FR4).  
 (Er = 4.6)  
 The solder resist should be printed  
 Except for the land pattern on the PCB



APPLICATION 75Ω  
 WITH B = 0.55 mm  
 0.0216 Inches

APPLICATION 50Ω  
 WITH B = 1.2 mm  
 0.0472 Inches

PCB Thickness [mm] Inches	Coplanar Ligne A [mm] Inches
0.0314 [0.8]	0.0137 [0.350]
0.0393 [1.0]	0.0141 [0.360]
0.0472 [1.2]	0.0143 [0.365]
0.0629 [1.6]	0.0147 [0.375]

PCB Thickness [mm] Inches	Coplanar Ligne A [mm] Inches
0.0314 [0.8]	0.0074 [0.190]
0.0393 [1.0]	0.0078 [0.200]
0.0472 [1.2]	0.0080 [0.205]
0.0629 [1.6]	0.0082 [0.210]

**STANDARD TOLERANCES**

- .X ±0.2
- .XX ±0.1
- .XXX ±0.05

\*STANDARD TOLERANCES APPLY  
 ONLY TO DIMENSIONS IN INCHES



8TH FLOOR, BUILDING 1, YONGFU SCIENCE AND TECHNOLOGY  
 CENTER INDUSTRIAL PARK, NANZHA DISTRICT 5,  
 HUMEN, 523900, DONGGUAN, GUANGDONG, CHINA

WEBSITE: [www.ebeestock.com](http://www.ebeestock.com)  
 EMAIL: [sales@ebeestock.com](mailto:sales@ebeestock.com)

**ebeestock**

DWG TITLE

**ET10788**

NOTES:

1. UNLESS OTHERWISE SPECIFIED ALL DIMENSIONS ARE NOMINAL.
2. ALL SPECIFICATIONS ARE SUBJECT TO CHANGE WITHOUT NOTICE AT ANY TIME.
3. DIMENSIONS ARE IN INCHES [mm].

FSCM NO. 53919

CAD FILE 092816

SCALE N/A

SIZE A

2233