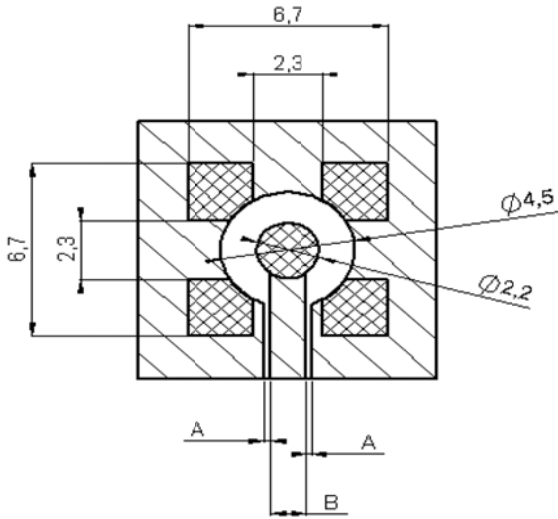
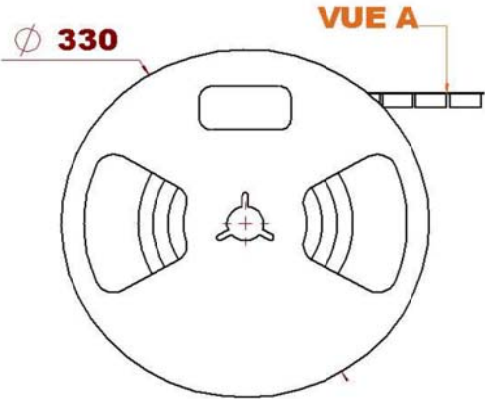
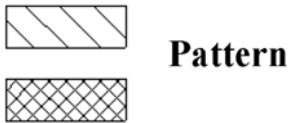


MMBX Jack Snap-On Connector Solder Attachment Surface Mount PCB, With Female Center Contact, 1 Reel Contains 750 pieces



PCB

COPLANAR LINE
 Pattern and signal are on the same side
 The material of PCB is epoxy resin (FR4).
 (Er = 4.6)
 The solder resist should be printed
 Except for the land pattern on the PCB



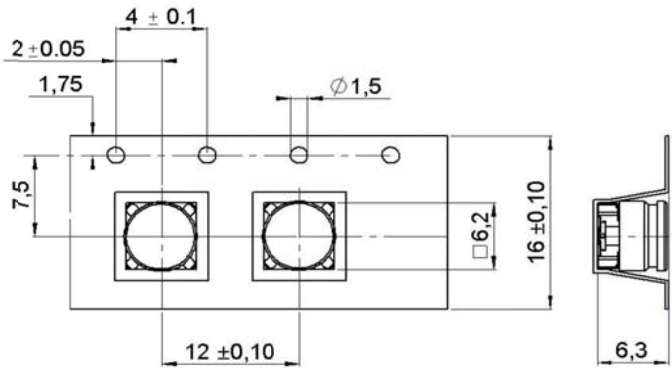
APPLICATION 75Ω
 WITH B = 0.55 mm
 0.0216 Inches

| PCB Thickness [mm] Inches | Coplanar Ligne A [mm] Inches |
|------------------------------|---------------------------------|
| 0.0314 [0.8] | 0.0137 [0.350] |
| 0.0393 [1.0] | 0.0141 [0.360] |
| 0.0472 [1.2] | 0.0143 [0.365] |
| 0.0629 [1.6] | 0.0147 [0.375] |

APPLICATION 50Ω
 WITH B = 1.2 mm
 0.0472 Inches

| PCB Thickness [mm] Inches | Coplanar Ligne A [mm] Inches |
|------------------------------|---------------------------------|
| 0.0314 [0.8] | 0.0074 [0.190] |
| 0.0393 [1.0] | 0.0078 [0.200] |
| 0.0472 [1.2] | 0.0080 [0.205] |
| 0.0629 [1.6] | 0.0082 [0.210] |

VUE A



STANDARD TOLERANCES

- .X ±0.2
- .XX ±0.1
- .XXX ±0.05

*STANDARD TOLERANCES APPLY ONLY TO DIMENSIONS IN INCHES



8TH FLOOR, BUILDING 1, YONGFU SCIENCE AND TECHNOLOGY
 CENTER INDUSTRIAL PARK, NANZHA DISTRICT 5,
 HUMEN, 523900, DONGGUAN, GUANGDONG, CHINA

WEBSITE: www.ebeestock.com
 EMAIL: sales@ebeestock.com

DWG TITLE

ET10791

NOTES:

1. UNLESS OTHERWISE SPECIFIED ALL DIMENSIONS ARE NOMINAL.
2. ALL SPECIFICATIONS ARE SUBJECT TO CHANGE WITHOUT NOTICE AT ANY TIME.
3. DIMENSIONS ARE IN INCHES [mm].

FSCM NO. 53919

CAD FILE 092816

SCALE N/A

SIZE A

2233