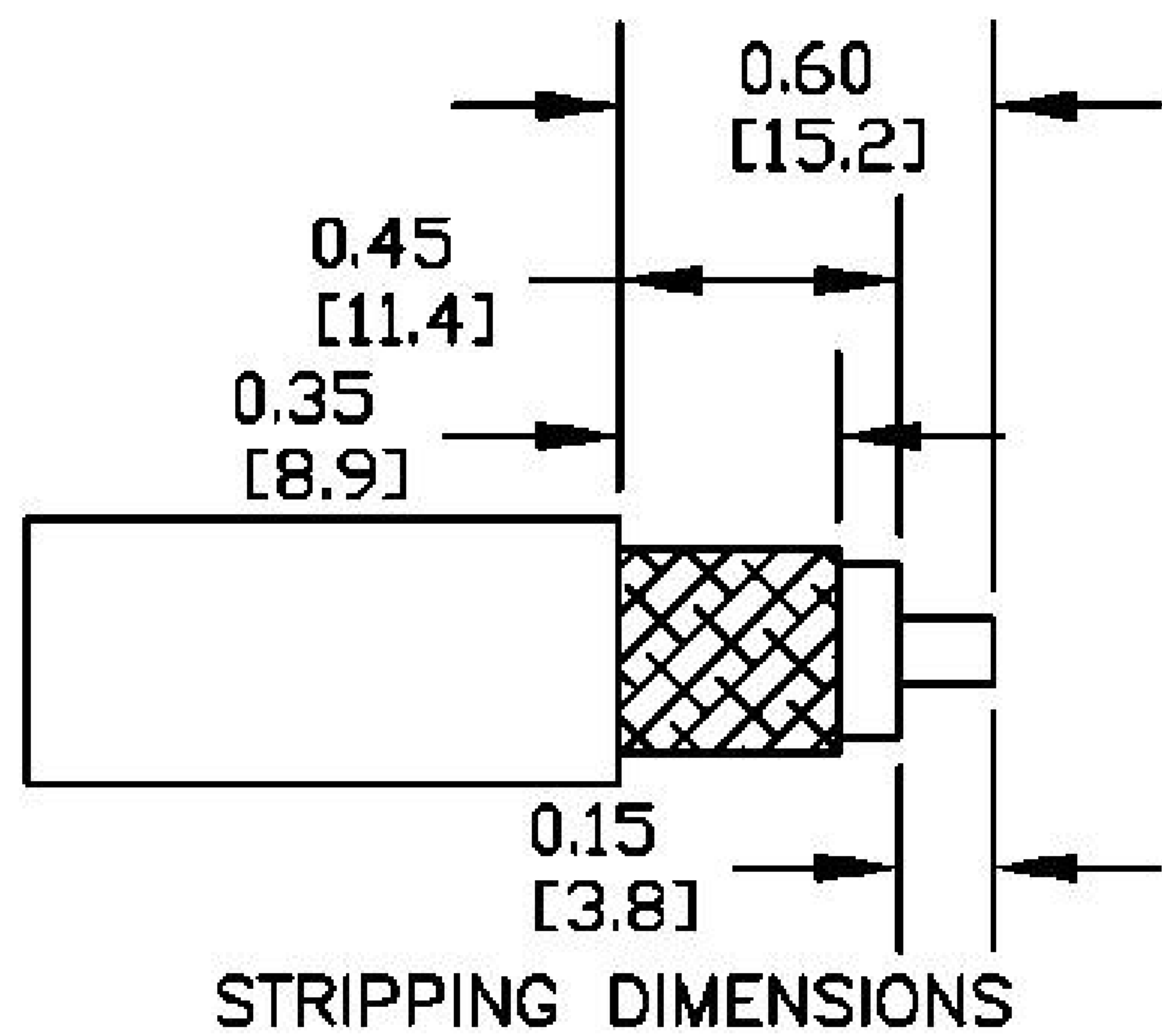
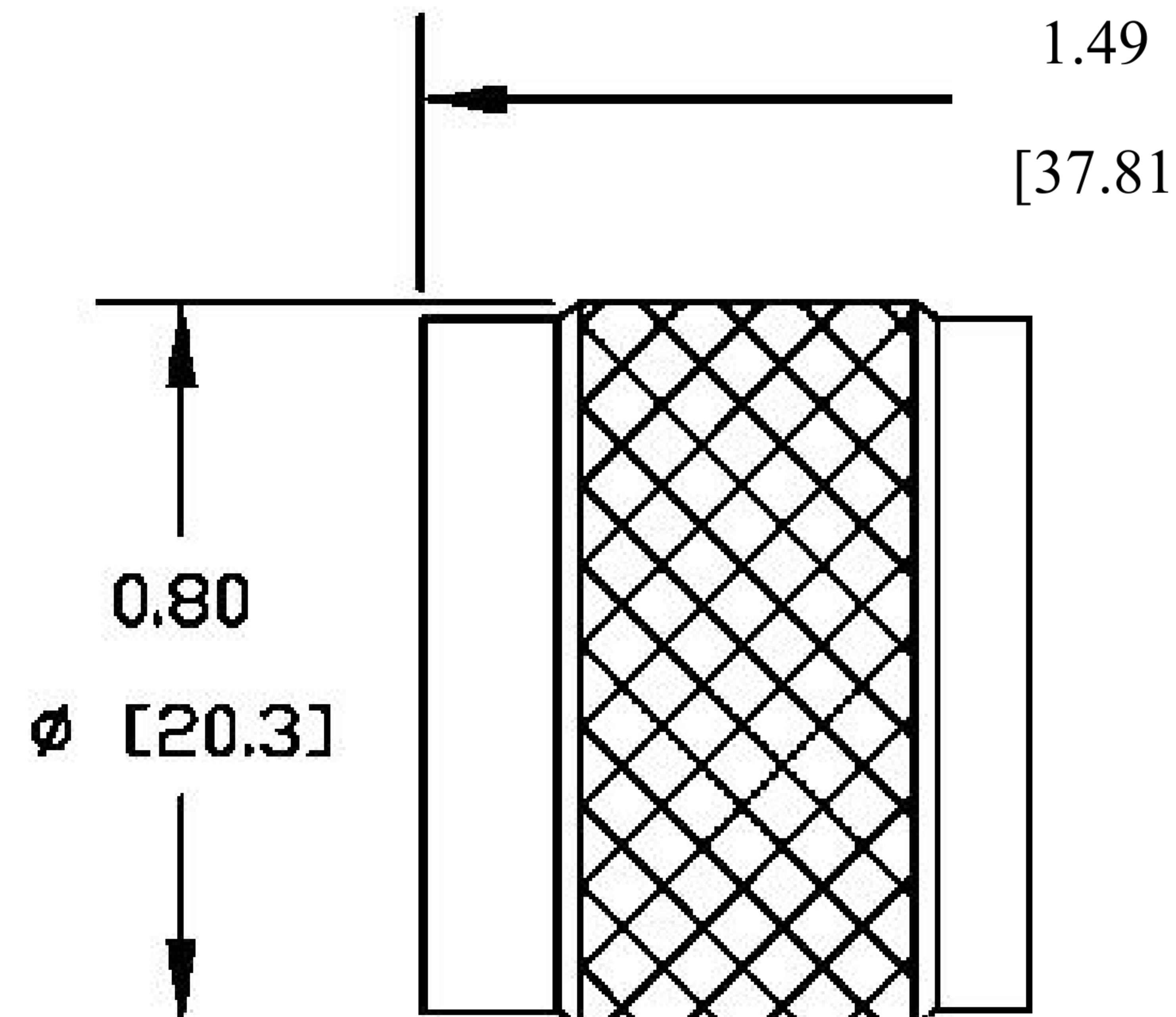


MATERIALS

| | |
|------------------|----------------------------|
| BODY | BRASS NICKEL PLATED |
| CONTACT | GOLD PLATED |
| INSULATOR | PTFE |
| | |



CRIMP SIZE REQUIRED

CONTACT: SOLDER

FERRULE: ,429" HEX CRIMP TOOL

8th Floor, Building 1, Yongfu Science



8th Floor, Building 1, Yongfu Science and Technology Center Industrial Park, Nanzha District 5, Humen, 523900, Dongguan, Guangdong, China.

Website: www.ebeestock.com

Email: sales@ebeestock.com

COAXIAL & FIBER OPTICS

| | | | |
|---|---------|------|---|
| DWG TITLE | ET10906 | DES_ | rp-n-male-connector-crimp-solder-attachment-for-rg214-rg393-0010906 |
| SIZE A FSCM NO. 53919 CAD FILE 073102 SCALE N/A | | 127 | |

NOTES:

- UNLESS OTHERWISE SPECIFIED ALL DIMENSIONS ARE NOMINAL.
- ALL SPECIFICATIONS ARE SUBJECT TO CHANGE WITHOUT NOTICE AT ANY TIME.