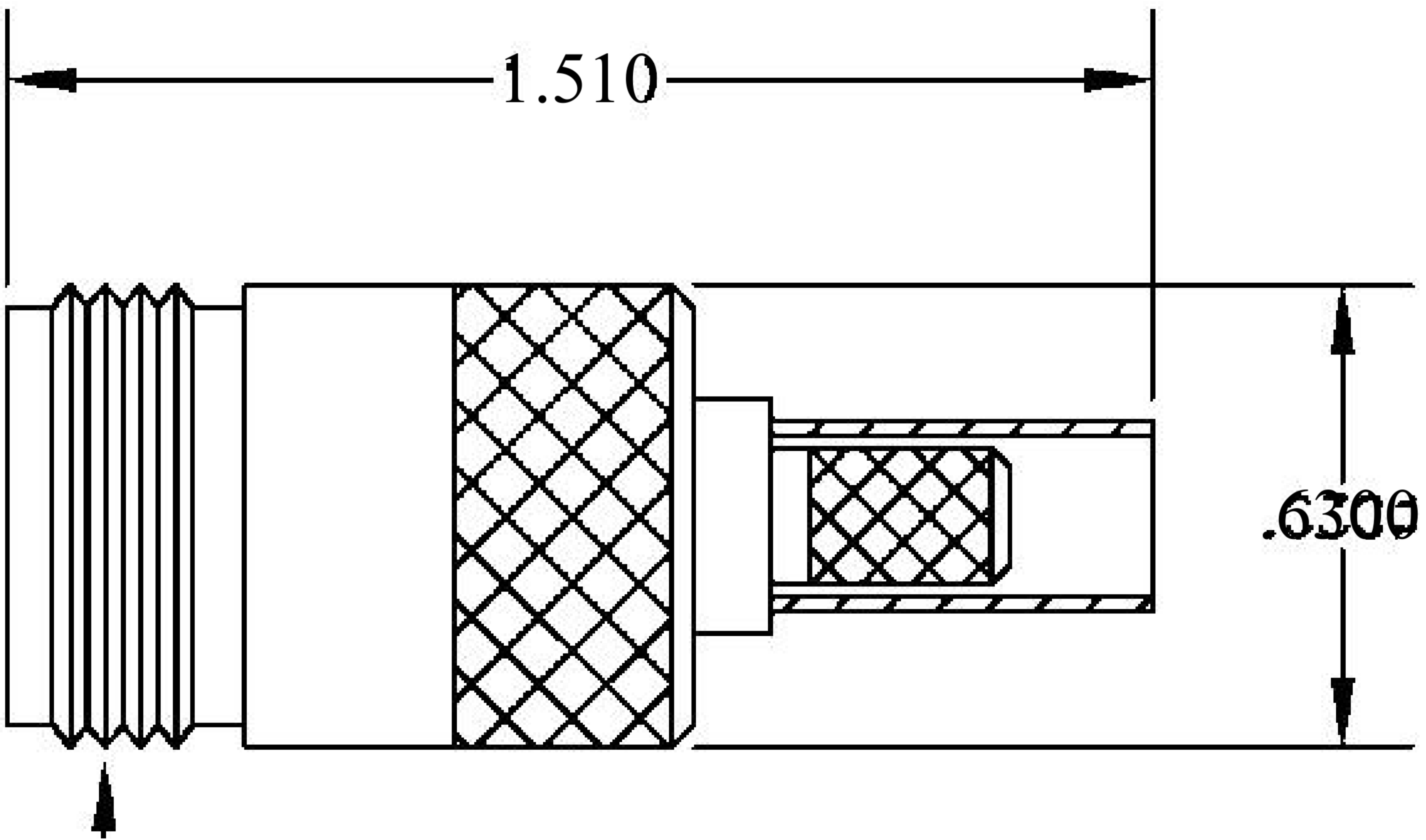
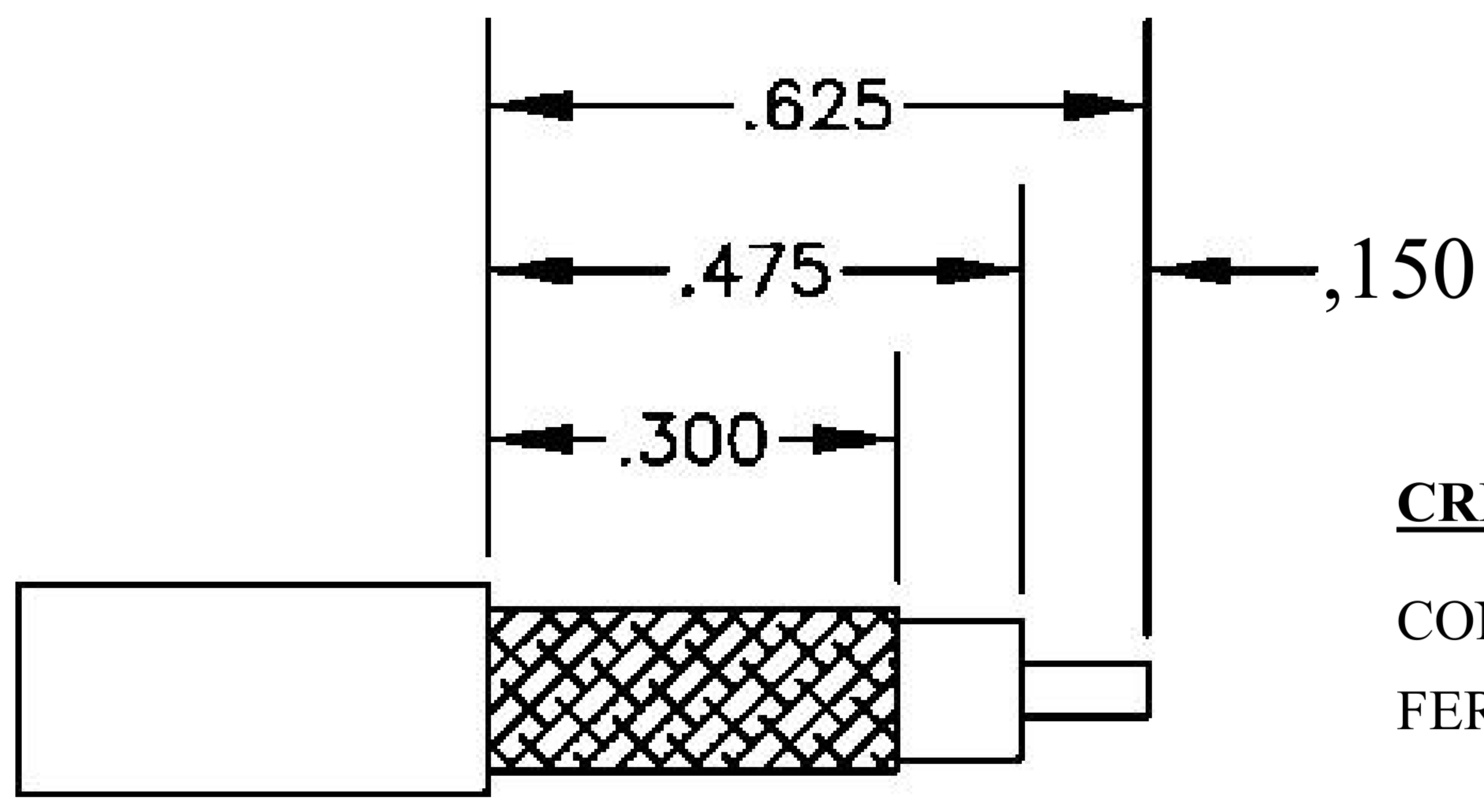


MATERIALS	
BODY	BRASS NICKEL PLATED
CONTACT	SILVER PLATED
INSULATOR	PTFE



1— .625-24 UNEF-2A



STRIPPING DIMENSIONS

CRIMP SIZES REQUIRED
 CONTACT: .100,* HEX CRIMP TOOL
 FERRULE: .213" HEX CRIMP TOOL



8th Floor, Building 1, Yongfu Science and Technology Center Industrial Park, Nanzha District 5, Humen, 523900, Dongguan, Guangdong, China.

Website: www.ebeestock.com
 Email: sales@ebeestock.com

COAXIAL & FIBER OPTICS

DWG TITLE ET10908	DES_ rp-n-female-connector-crimp-solder-attachment-for-rg58-0010908
----------------------	--

SIZE A | FSCM NO. 53919 | CAD FILE 073102 | SCALE N/A | 127

- NOTES:
- UNLESS OTHERWISE SPECIFIED ALL DIMENSIONS ARE NOMINAL.
 - ALL SPECIFICATIONS ARE SUBJECT TO CHANGE WITHOUT NOTICE AT ANY TIME.