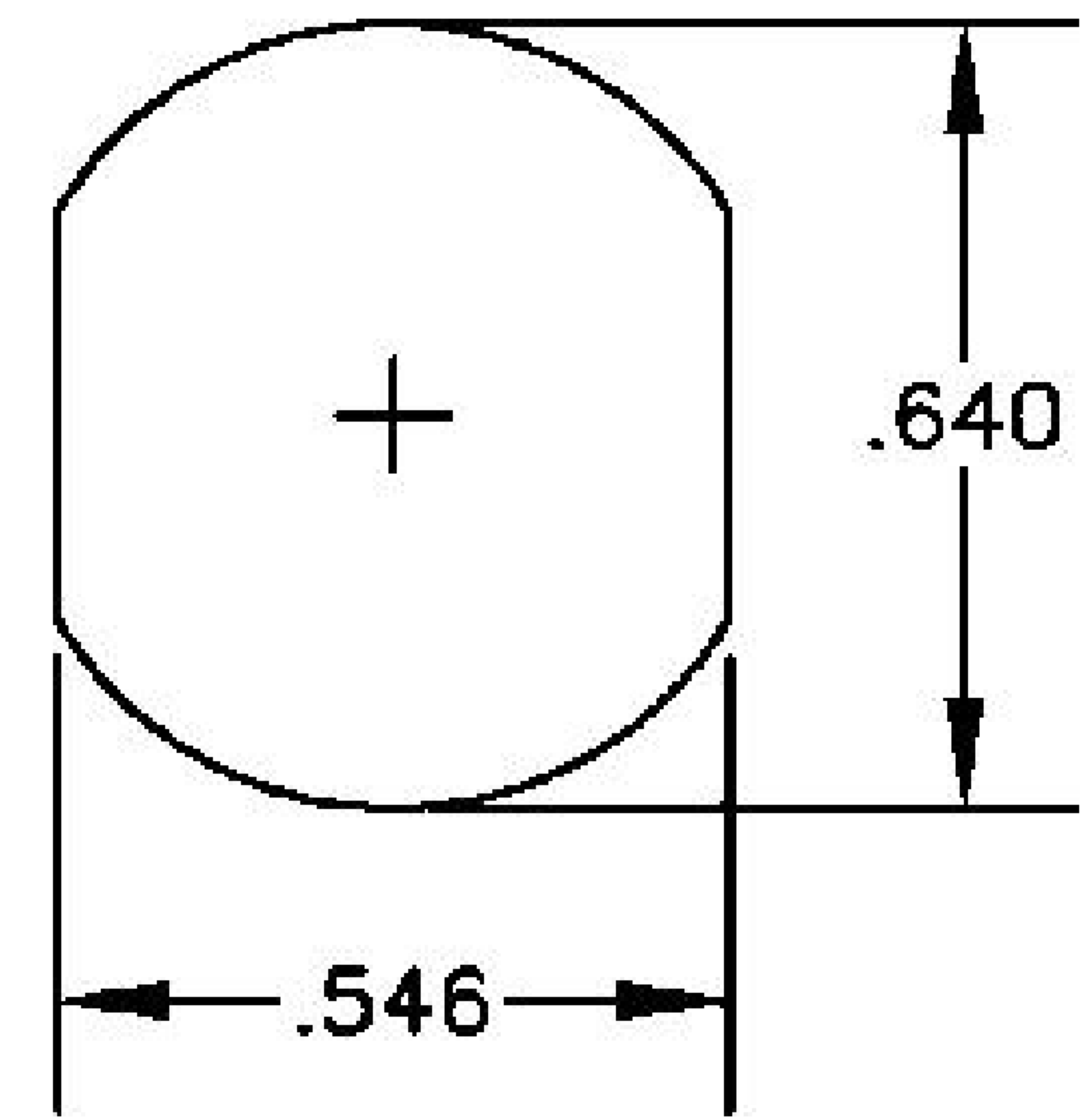
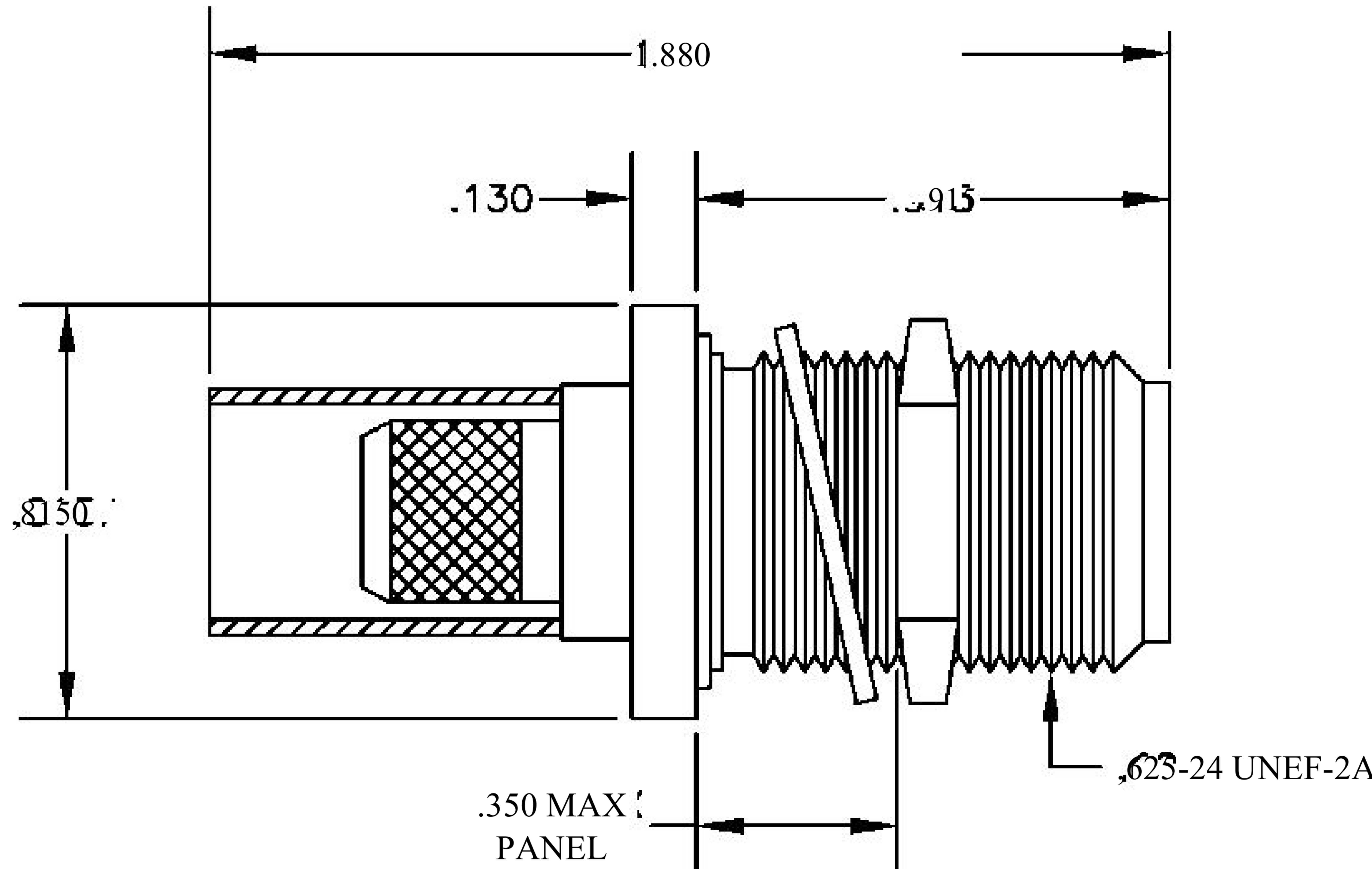
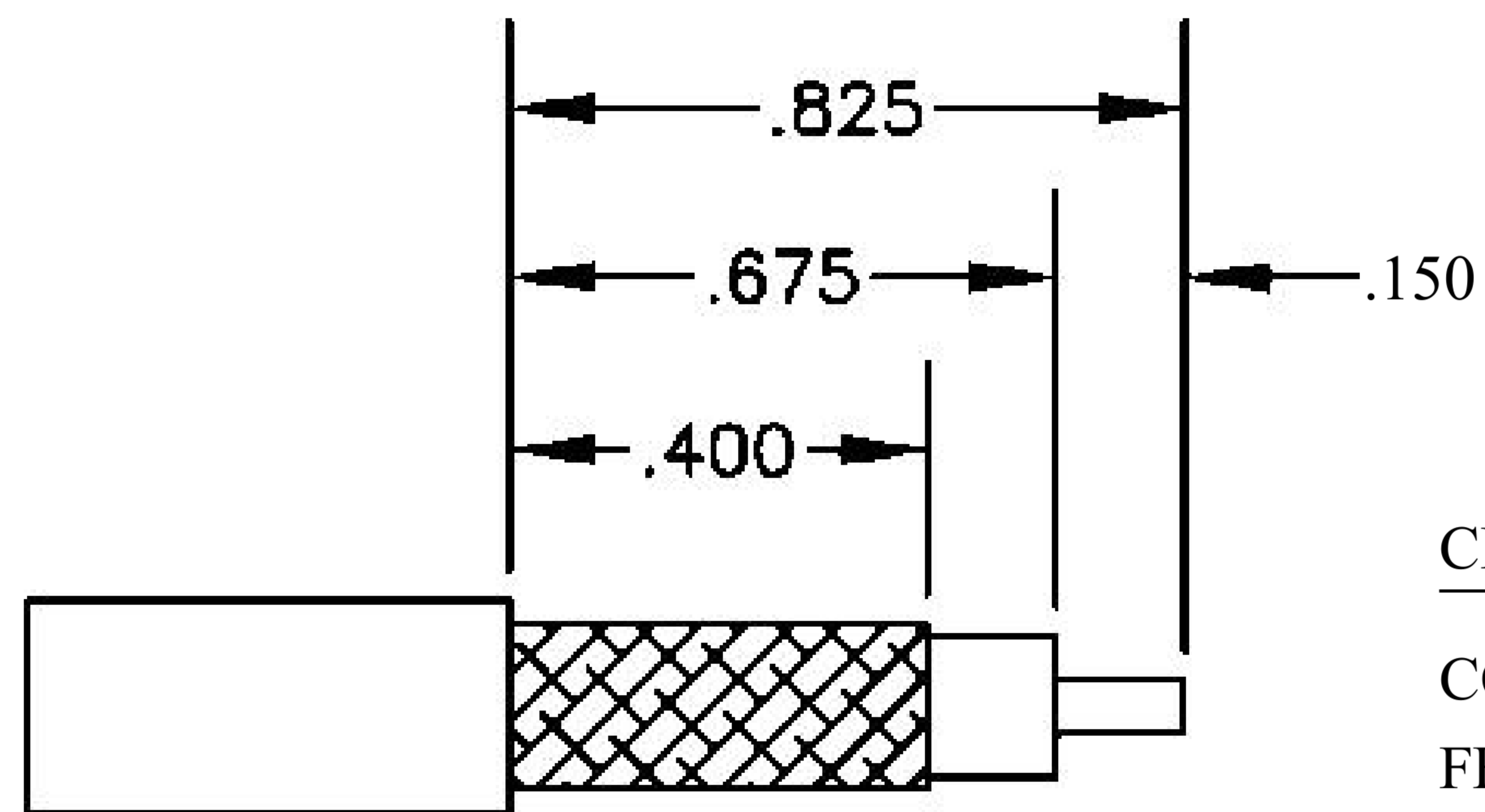


MATERIALS	
BODY	BRASS NICKEL PLATED
CONTACT	SILVER PLATED
INSULATOR	PTFE



MOUNTING HOLE

* PE—C Series is a functionally equivalent to Times Microwave LMF[^]series



CRIMP SIZE REQUIRED

CONTACT: SOLDER

FERRULE: .429" HEX CRIMP

TOOL

STRIPPING DIMENSIONS



8th Floor, Building 1, Yongfu Science and Technology Center Industrial Park, Nanzha District 5, Humen, 523900, Dongguan, Guangdong, China.

Website: www.ebeestock.com
 Email: sales@ebeestock.com

COAXIAL & FIBER OPTICS

DWG TITLE	ET11014	DES_	n-female-bulkhead-connector-crimp-solder-attachment-for-pe-b400-pe-b405-pe-c400-640-inch-dd-hole-0011014
SIZE A FSCM NO. 53919 CAD FILE 073102 SCALE N/A			127

- NOTES:
- UNLESS OTHERWISE SPECIFIED ALL DIMENSIONS ARE NOMINAL.
 - ALL SPECIFICATIONS ARE SUBJECT TO CHANGE WITHOUT NOTICE AT ANY TIME.