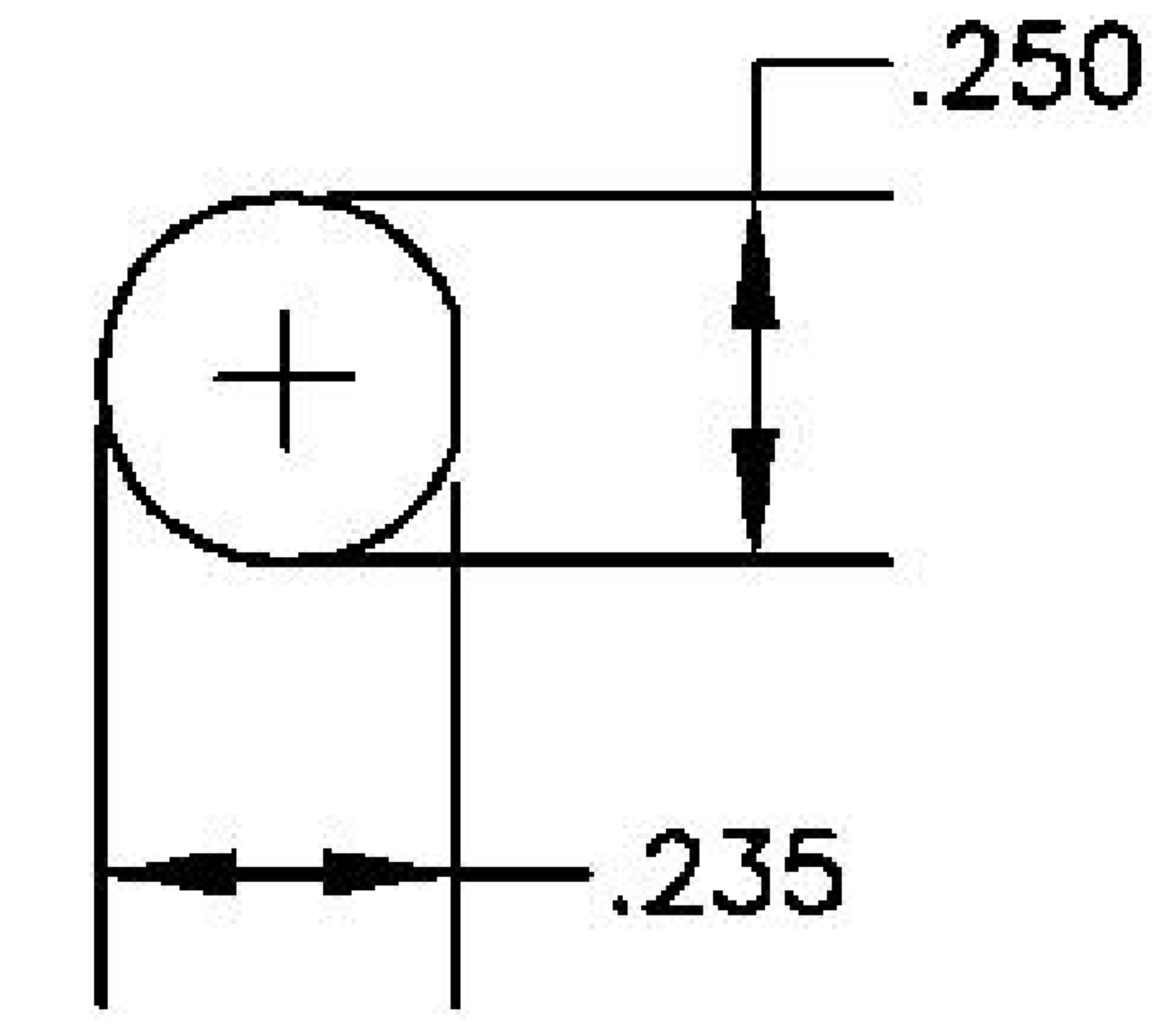
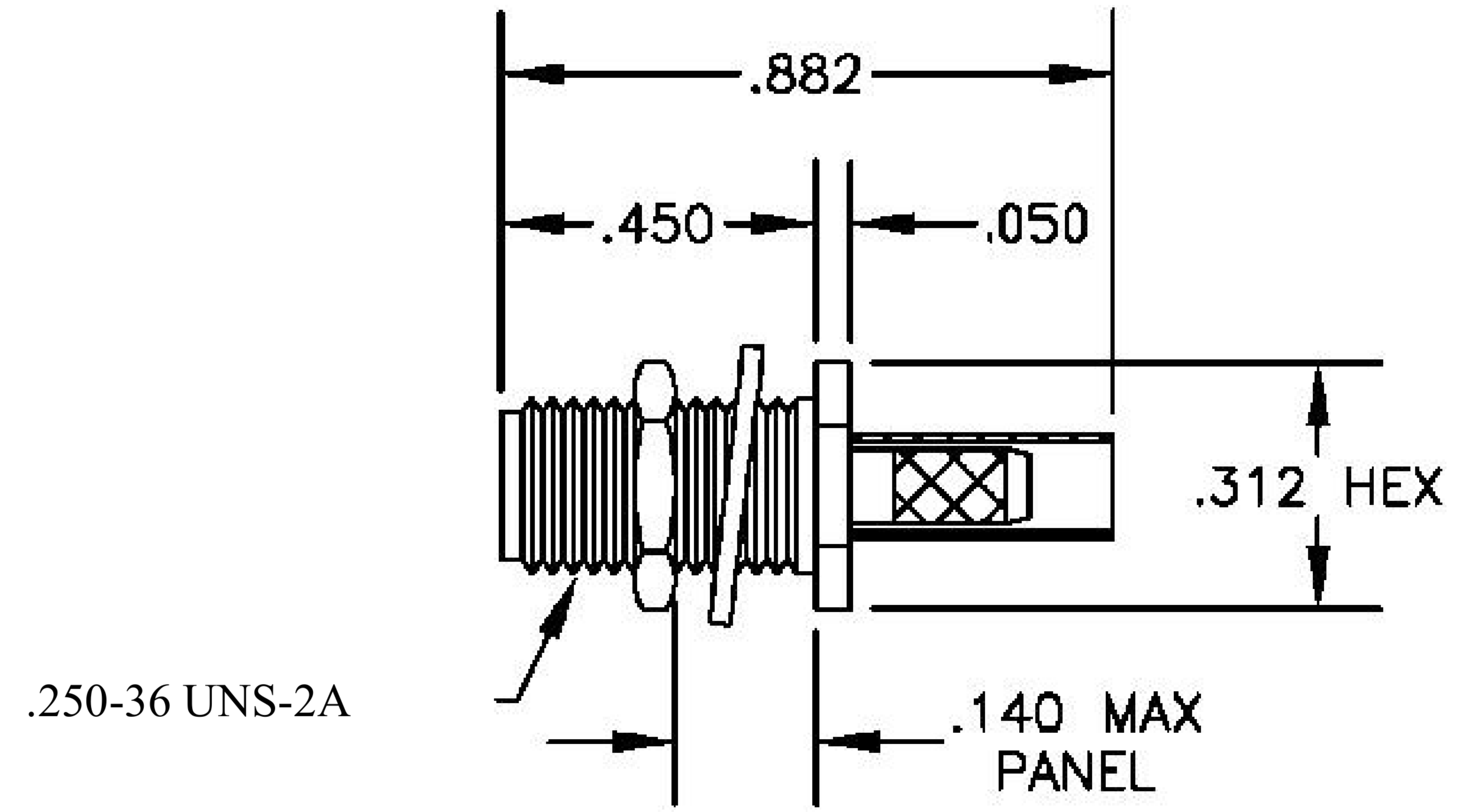
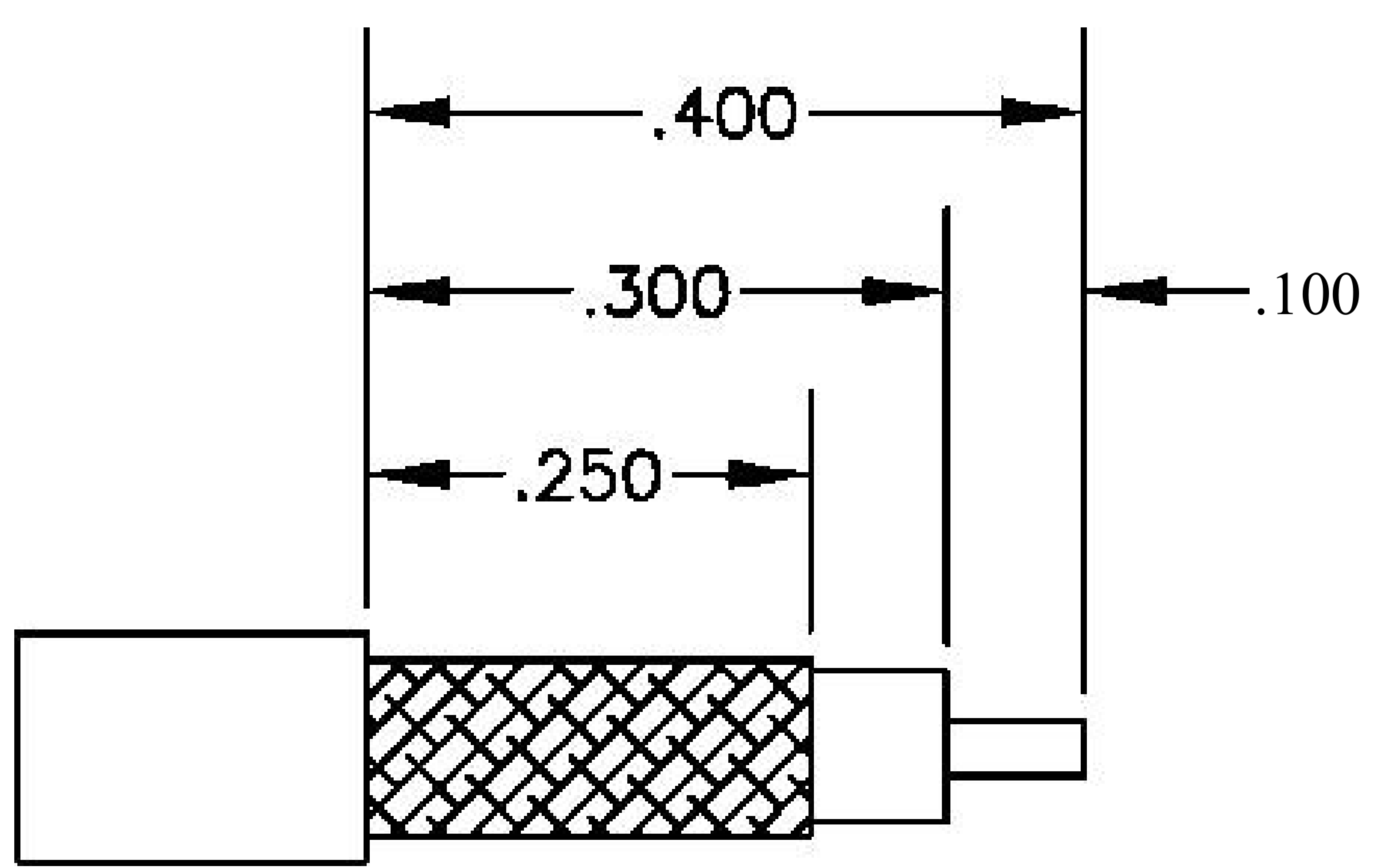


BODY
CONTACT ”
INSULATOR”
FERRULE

MATERIALS
BRASS NICKEL PLAIN
GOLD PLATED
PTFE
GOLD PLATED



MOUNTING HOLE



CONTACT: SOLDER
 FERRULE SOLDER

STRIPPING DIMENSIONS



8th Floor, Building 1, Yongfu Science and Technology Center Industrial Park, Nanzha District 5, Humen, 523900, Dongguan, Guangdong, China.

Website: www.ebeestock.com
 Email: sales@ebeestock.com

COAXIAL & FIBER OPTICS

DWG TITLE ET11147	DES_ sma-female-bulkhead-connector-solder-attachment-for-rg316-rg174-rg188-235-inch-d-hole-0011147
----------------------	---

SIZE A | FSCM NO. 53919 | CAD FILE 073102 | SCALE N/A | 127

- NOTES:
- UNLESS OTHERWISE SPECIFIED ALL DIMENSIONS ARE NOMINAL.
 - ALL SPECIFICATIONS ARE SUBJECT TO CHANGE WITHOUT NOTICE AT ANY TIME.