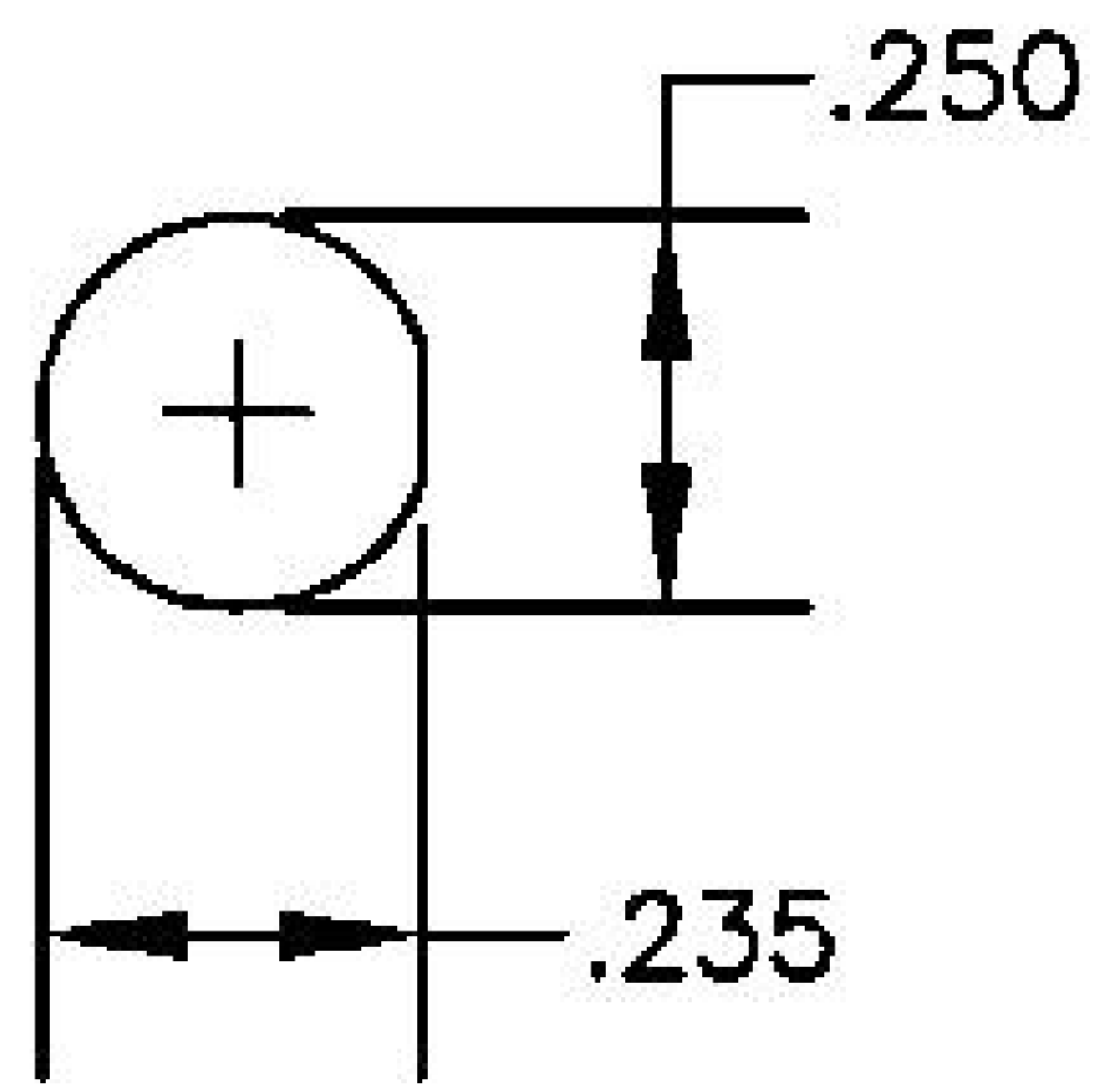
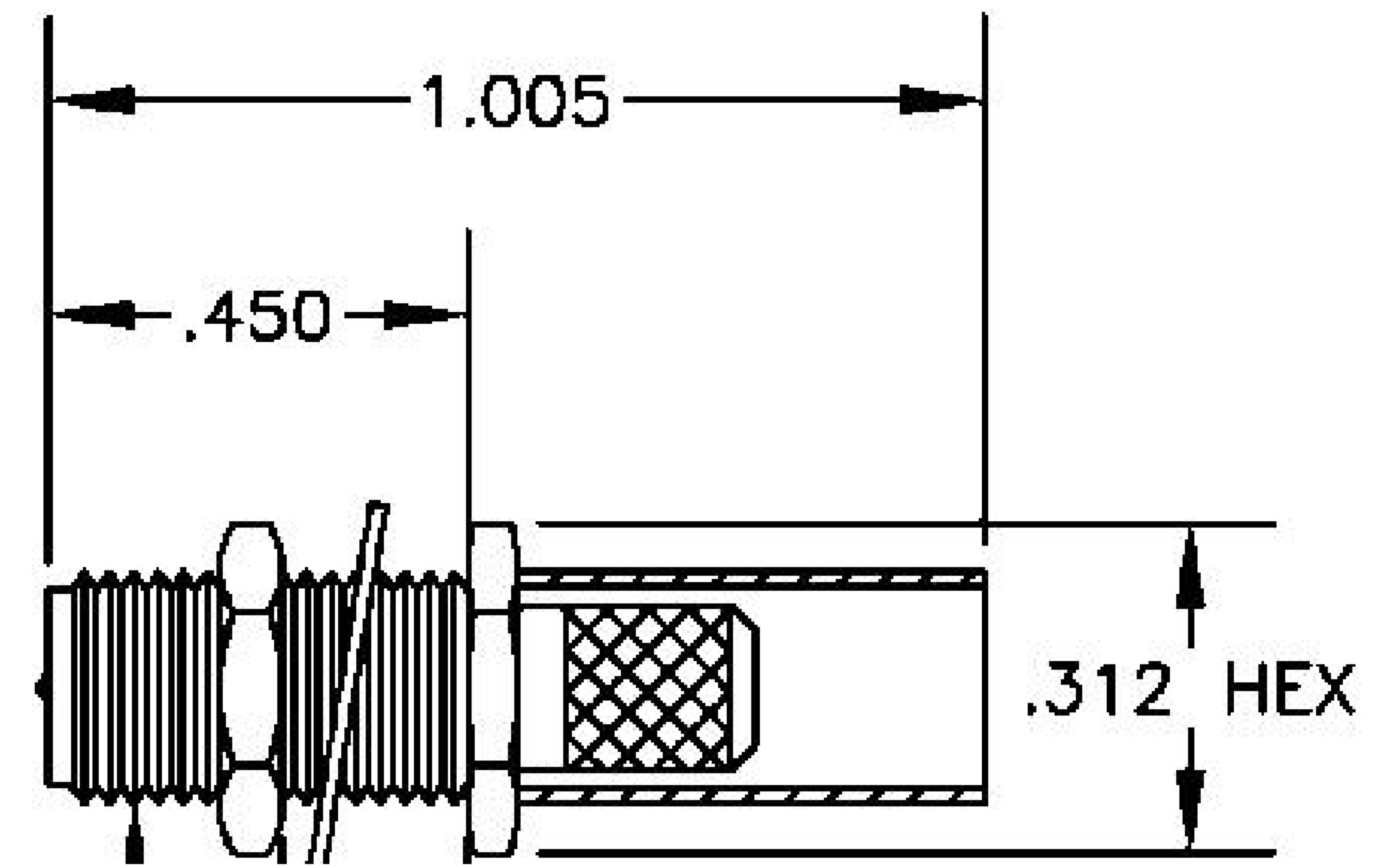


MATERIALS	
BODY	BRASS NICKEL PLATED
CONTACT	GOLD PLATED
INSULATOR	PTFE
FERRULE	GOLD PLATED

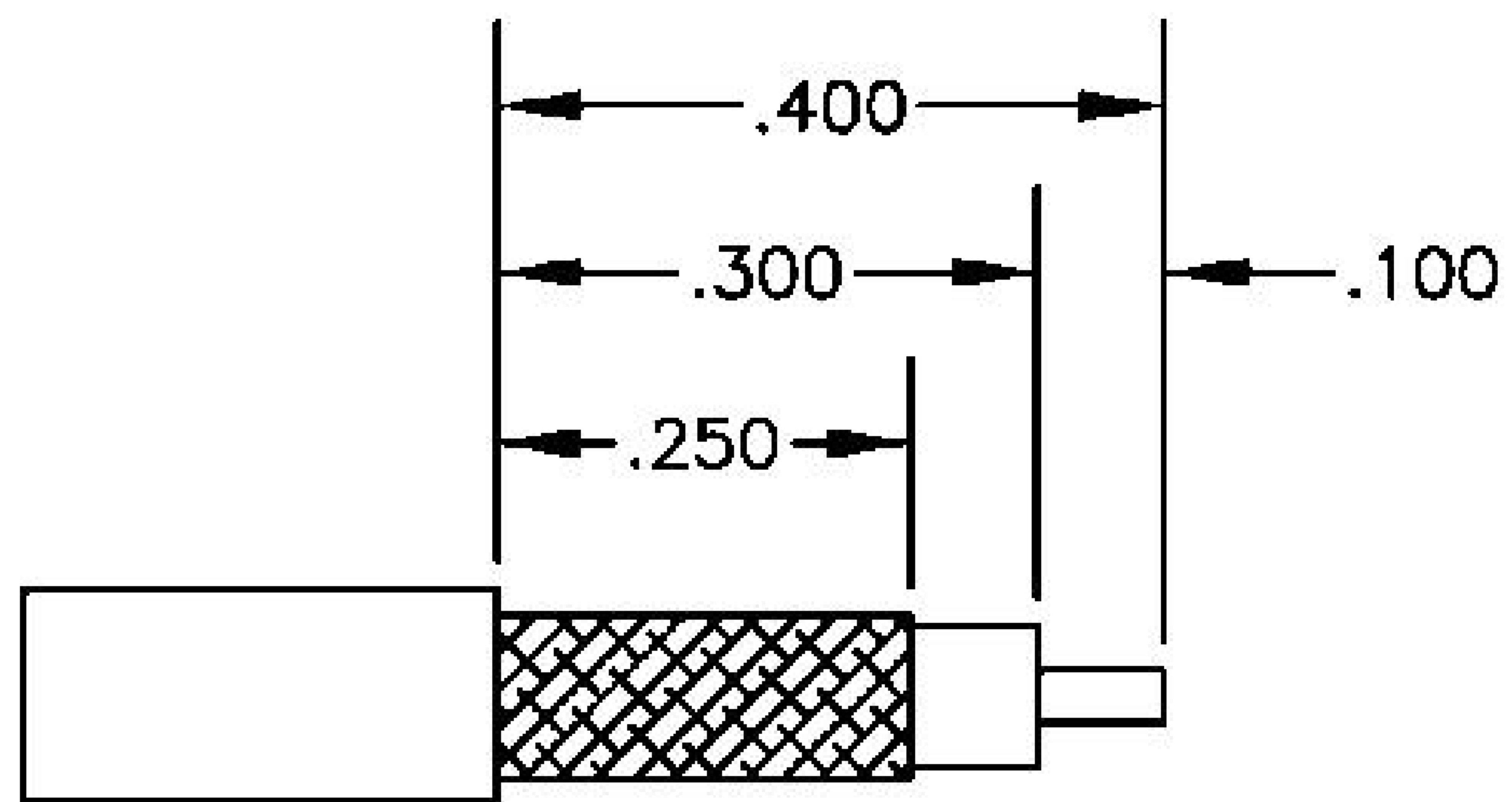


MOUNTING HOLE

.250-36 UNS-2A



.150 MAX
PANEL



STRIPPING DIMENSIONS

CONTACT: SOLDER
FERRULE: SOLDER



8th Floor, Building 1, Yongfu Science and Technology Center Industrial Park, Nanzha District 5, Humen, 523900, Dongguan, Guangdong, China.

Website: www.ebeestock.com

Email: sales@ebeestock.com

COAXIAL & FIBER OPTICS

DWG TITLE	ET11456	DES_	rp-sma-female-bulkhead-connector-solder-attachment-for-rg58-rg55-rg141-rg142-rg223-rg400-235-inch-d-hole-0011456
SIZE A FSCM NO. 53919 CAD FILE 073102 SCALE N/A		127	

NOTES:

- UNLESS OTHERWISE SPECIFIED ALL DIMENSIONS ARE NOMINAL.
- ALL SPECIFICATIONS ARE SUBJECT TO CHANGE WITHOUT NOTICE AT ANY TIME.