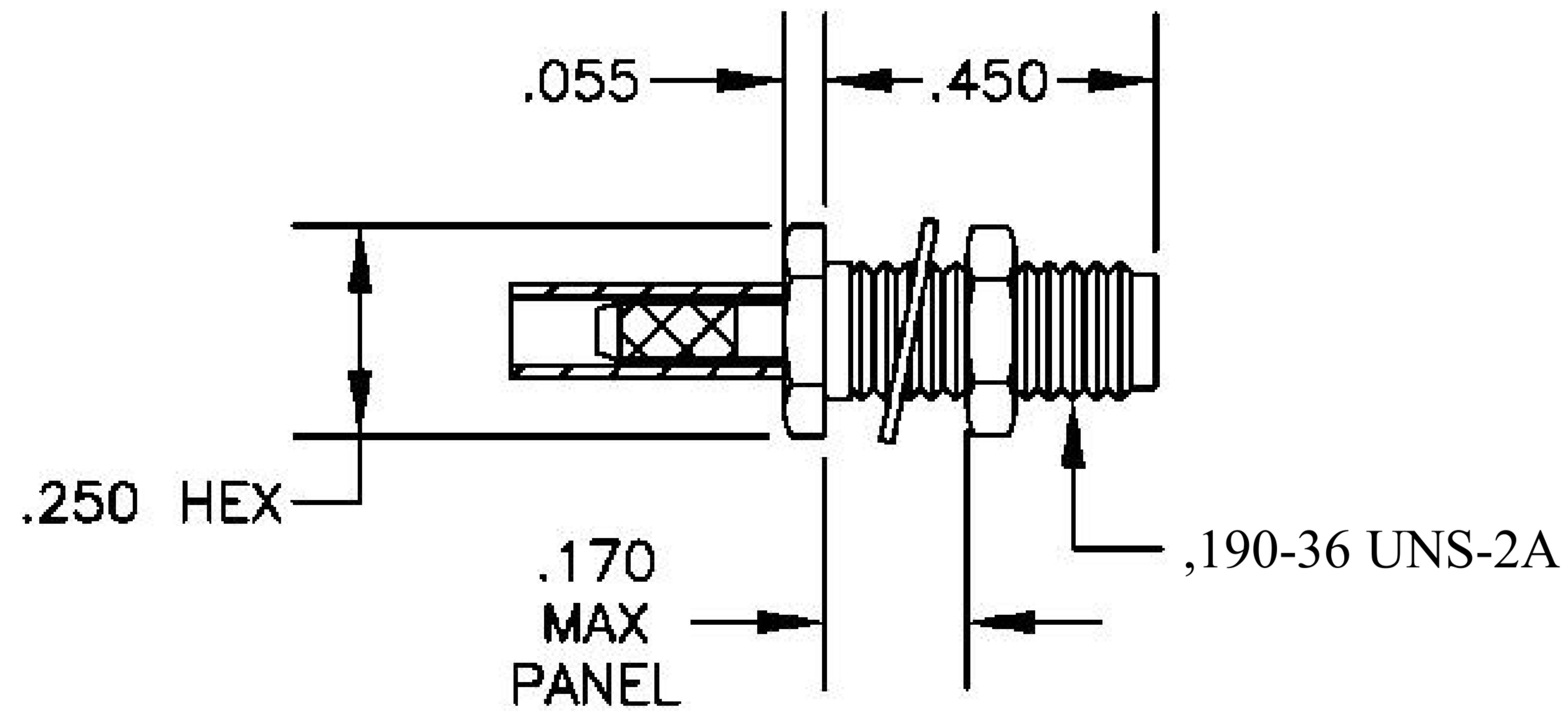


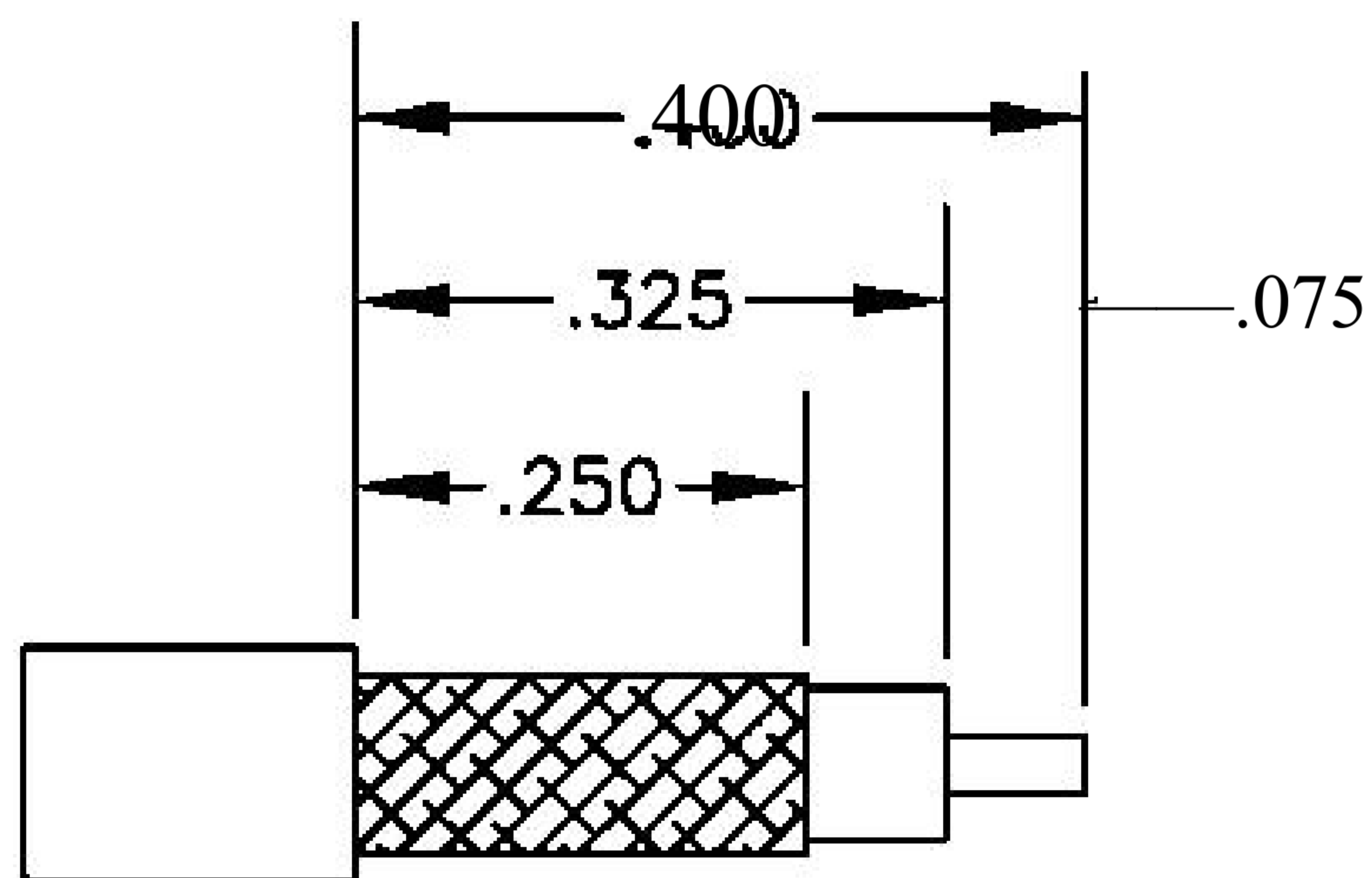
**BODY**  
**CONTACT**  
**INSULATOR**  
**FERRULE**

**MATERIALS**  
 BODY: BRASS NICKEL PLATED  
 CONTACT: GOLD PLATED  
 INSULATOR: PTFE  
 FERRULE: GOLD PLATED



.195—\*-

MOUNTING HOLE



STRIPPING DIMENSIONS

CRIMP SIZE REQUIRED

CONTACT: SOLDER

FERRULE: SOLDER



8th Floor, Building 1, Yongfu Science and Technology Center Industrial Park, Nanzha District 5, Humen, 523900, Dongguan, Guangdong, China.

Website: [www.ebeestock.com](http://www.ebeestock.com)

Email: [sales@ebeestock.com](mailto:sales@ebeestock.com)

**COAXIAL & FIBER OPTICS**

DWG TITLE	ET11615	DES_	ssma-female-bulkhead-connector-solder-attachment-for-rg178-rg196-177-inch-d-hole-0011615
SIZE A   FSCM NO. 53919   CAD FILE 073102   SCALE N/A		127	

**NOTES:**

- UNLESS OTHERWISE SPECIFIED ALL DIMENSIONS ARE NOMINAL.
- ALL SPECIFICATIONS ARE SUBJECT TO CHANGE WITHOUT NOTICE AT ANY TIME.