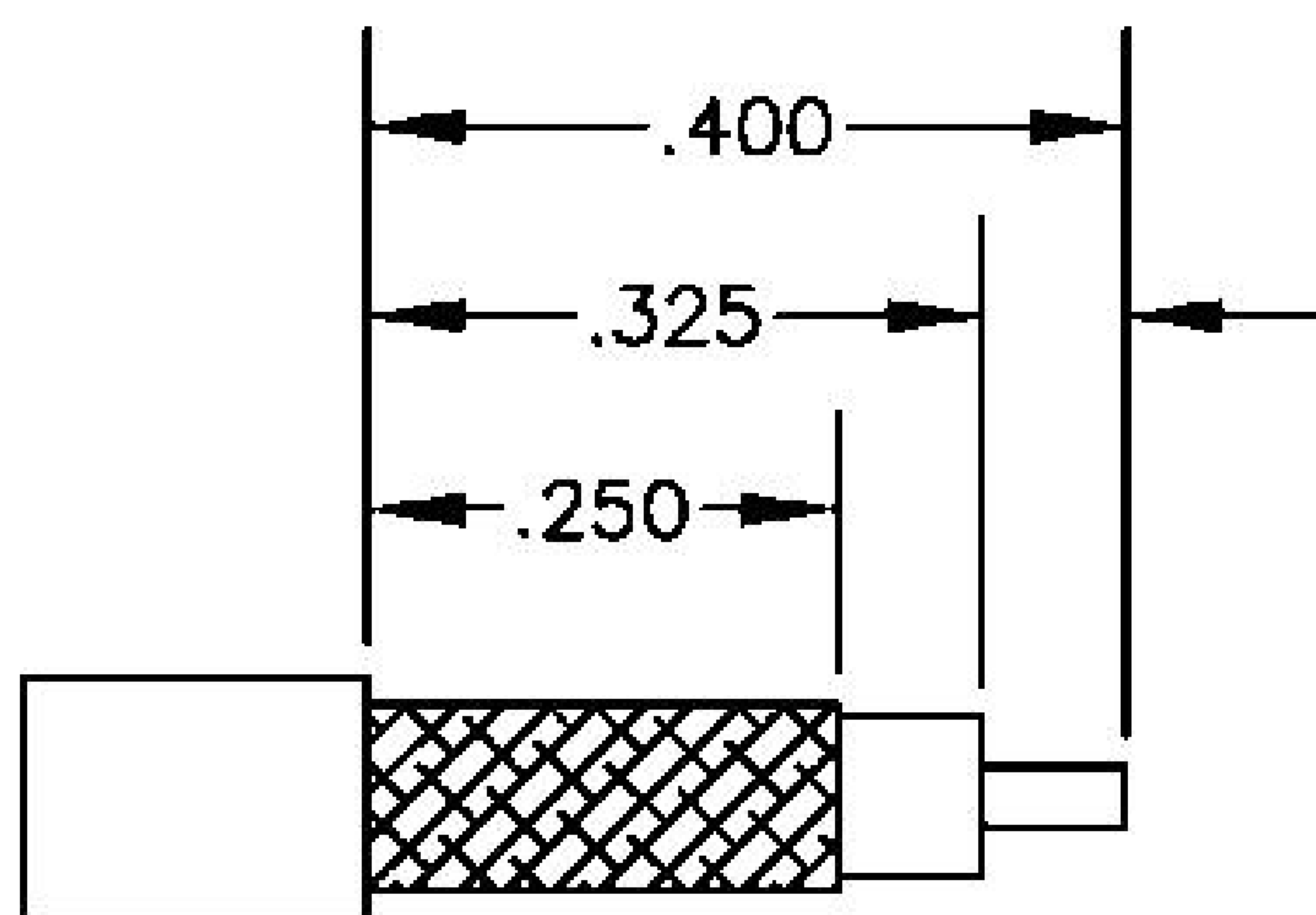
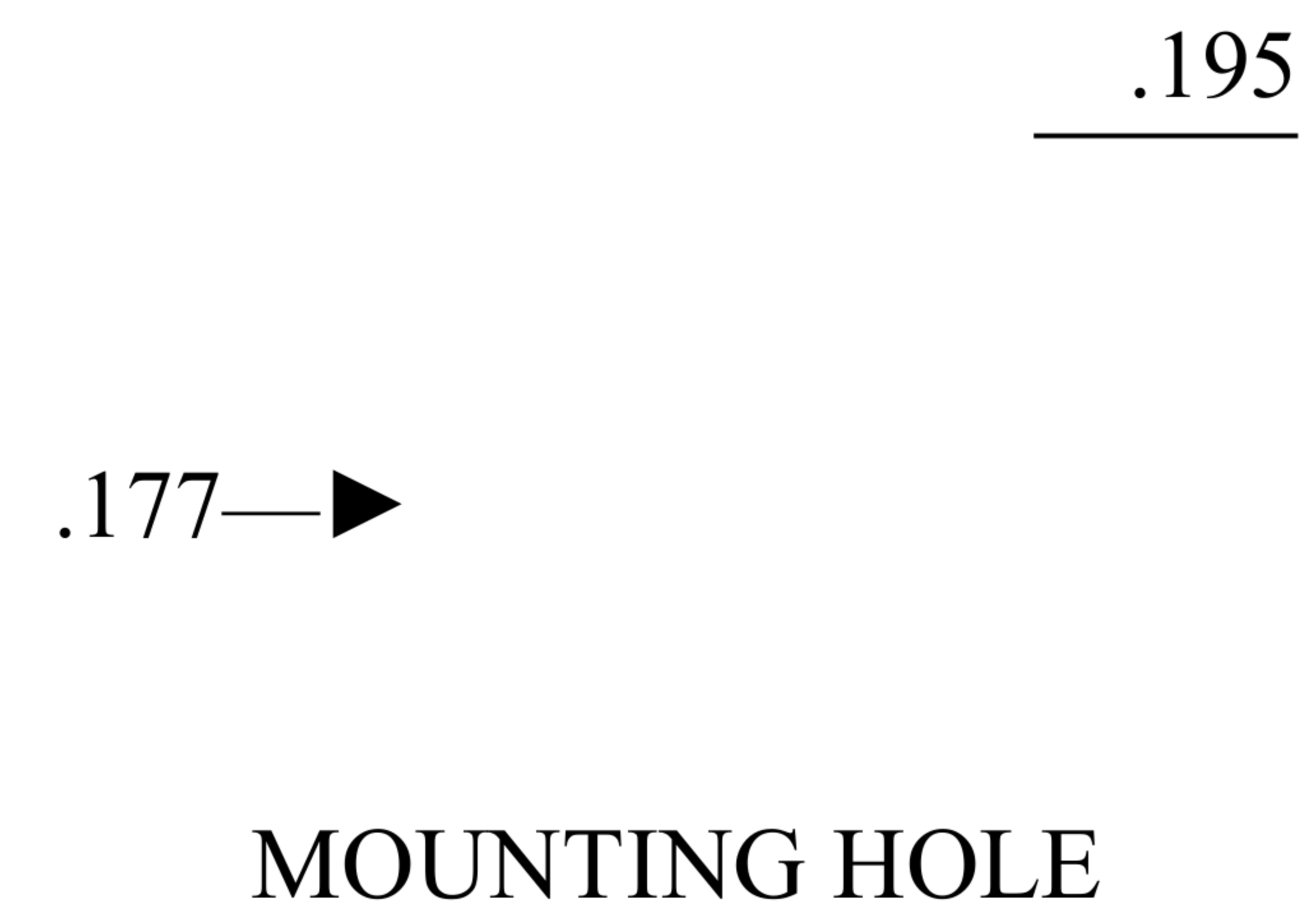
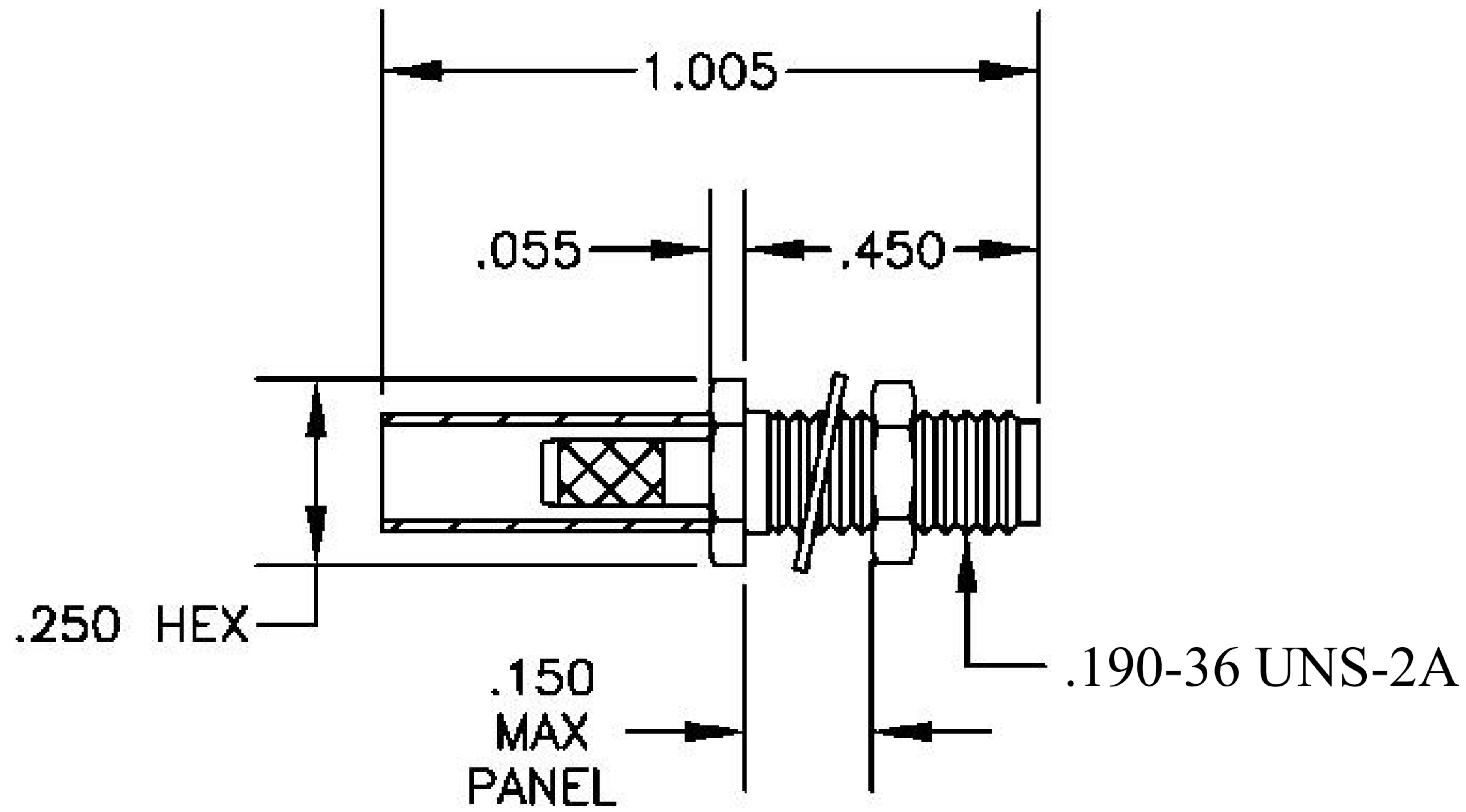


BODY
CONTACT
INSULATOR

MATERIALS

- BRASS NICKEL PLAI^
- GOLD PLATED
- PTFE



STRIPPING DIMENSIONS

CRIMP S 亿 E REQUIRED

CONTACT: SOLDER

FERRULE: .151" HEX CRIMP TOOL



8th Floor, Building 1, Yongfu Science and Technology Center Industrial Park, Nanzha District 5, Humen, 523900, Dongguan, Guangdong, China.

Website: www.ebeestock.com

Email: sales@ebeestock.com

COAXIAL & FIBER OPTICS

DWG TITLE	ET11624	DES_	ssma-female-bulkhead-connector-crimp-solder-attachment-for-rg188-ds-rg316-ds-177-inch-d-hole-0011624
SIZE A FSCM NO. 53919 CAD FILE 073102 SCALE N/A		127	

NOTES:

1. UNLESS OTHERWISE SPECIFIED ALL DIMENSIONS ARE NOMINAL.
2. ALL SPECIFICATIONS ARE SUBJECT TO CHANGE WITHOUT NOTICE AT ANY TIME.