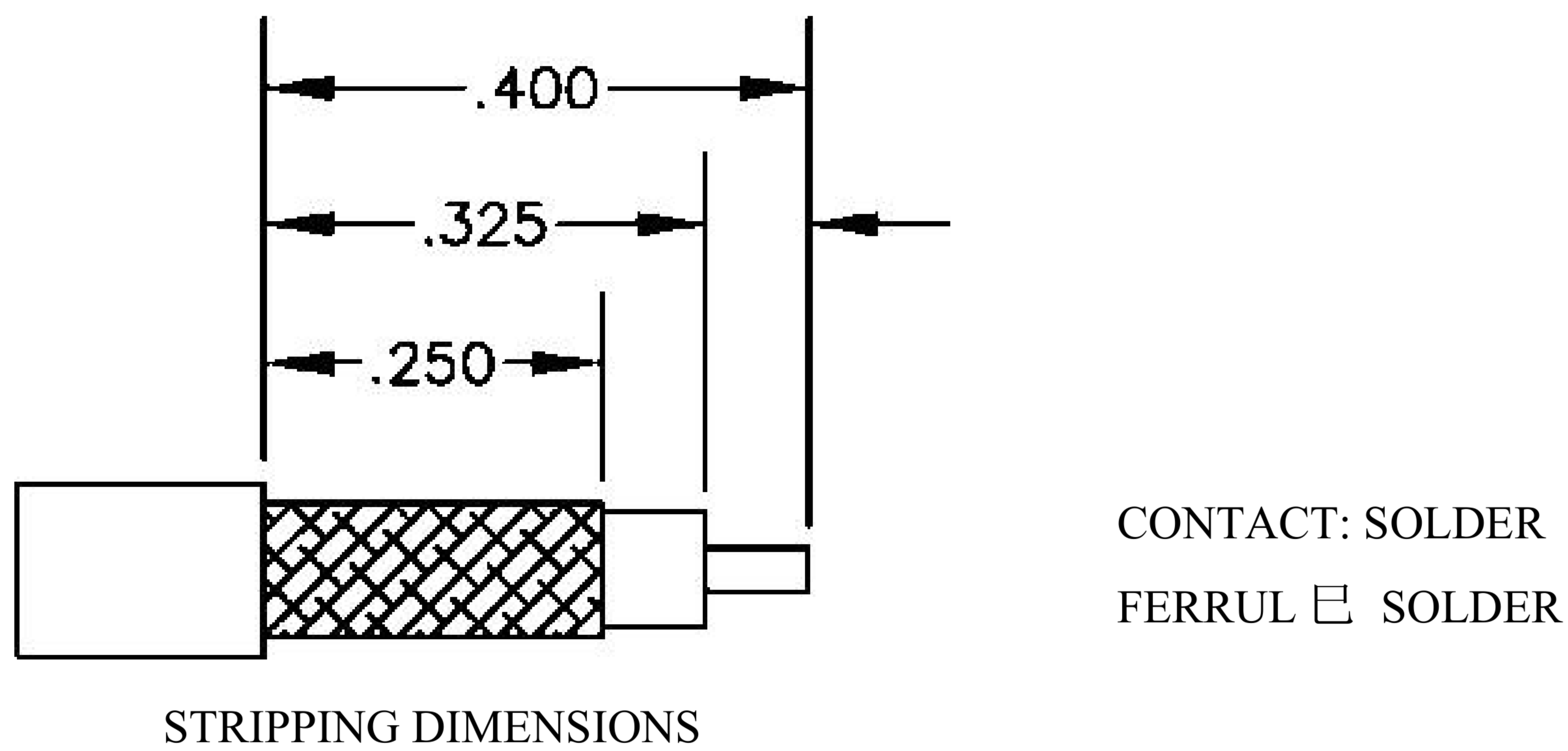
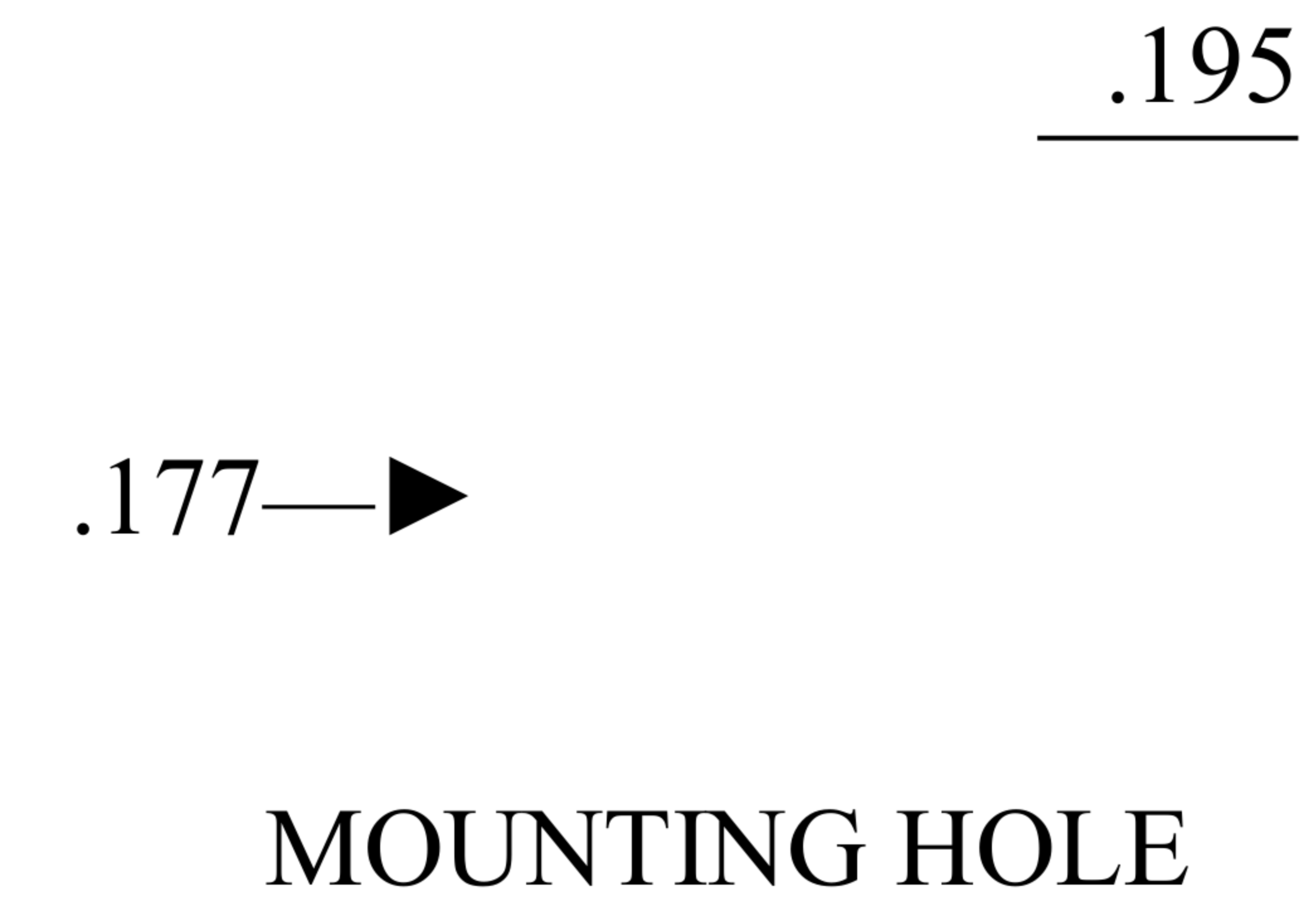
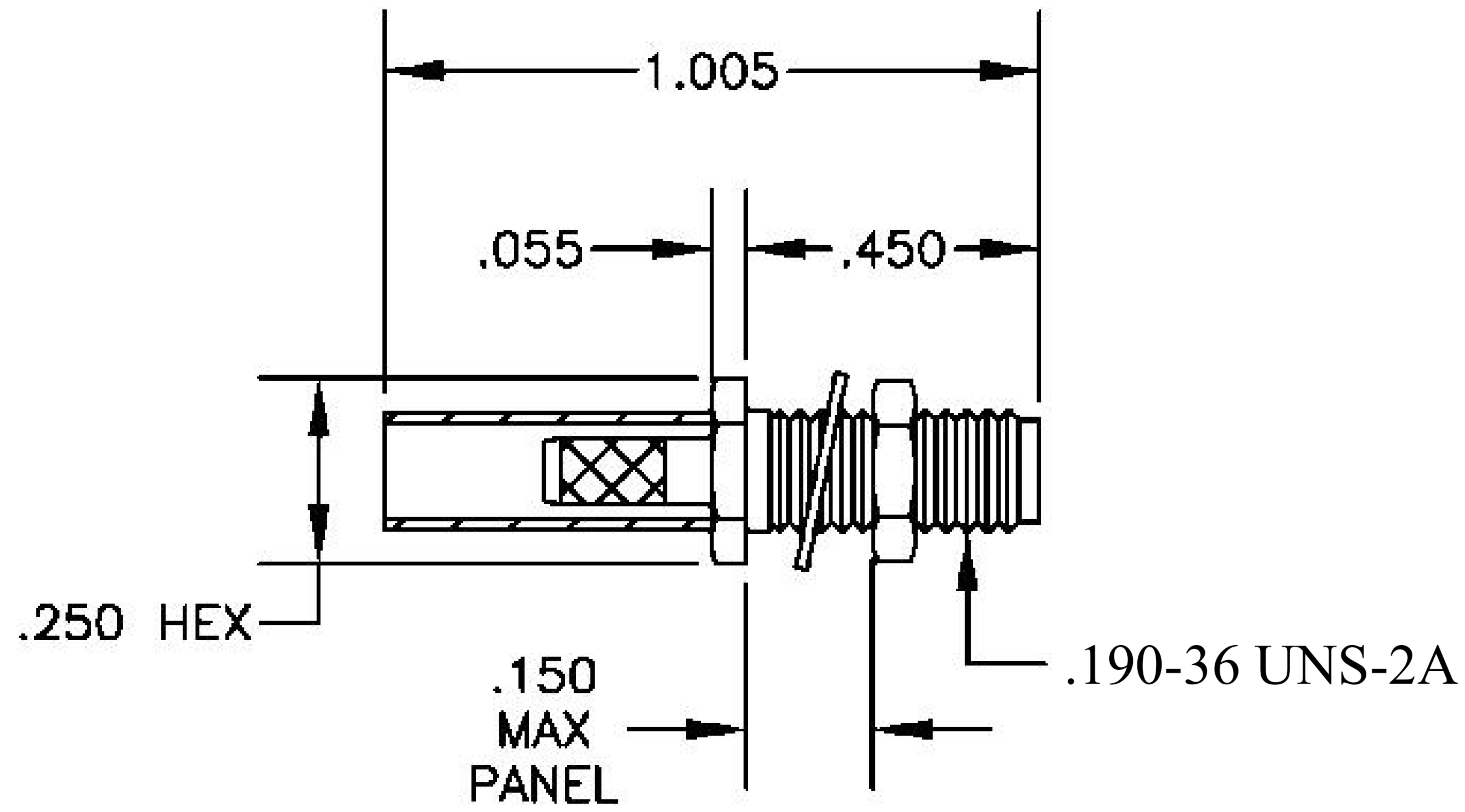


BODY
CONTACT
INSULATOR
FERRULE

MATERIALS
 — BRASS NICKEL PLAI^
 — GOLD PLATED
 — PTFE —
 — GOLD PLATED —



8th Floor, Building 1, Yongfu Science and Technology Center Industrial Park, Nanzha District 5, Humen, 523900, Dongguan, Guangdong, China.

Website: www.ebeestock.com

Email: sales@ebeestock.com

COAXIAL & FIBER OPTICS

DWG TITLE	ET11625	DES_	ssma-female-bulkhead-connector-solder-attachment-for-rg188-ds-rg316-ds-177-inch-d-hole-0011625
-----------	---------	------	--

SIZE A | **FSCM NO. 53919** | CAD FILE 073102 | SCALE N/A | 127

NOTES:

1. UNLESS OTHERWISE SPECIFIED ALL DIMENSIONS ARE NOMINAL.
2. ALL SPECIFICATIONS ARE SUBJECT TO CHANGE WITHOUT NOTICE AT ANY TIME.