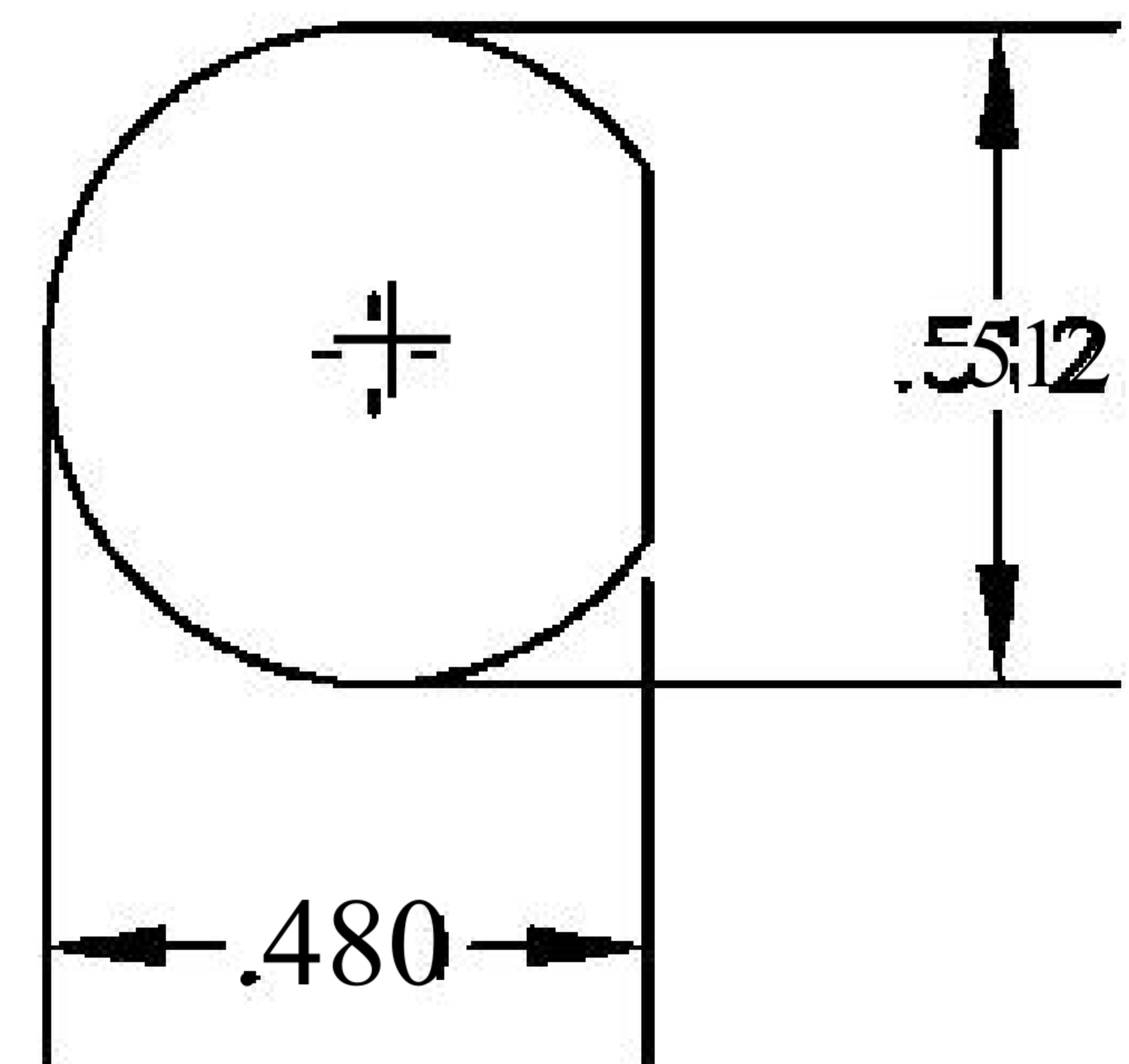
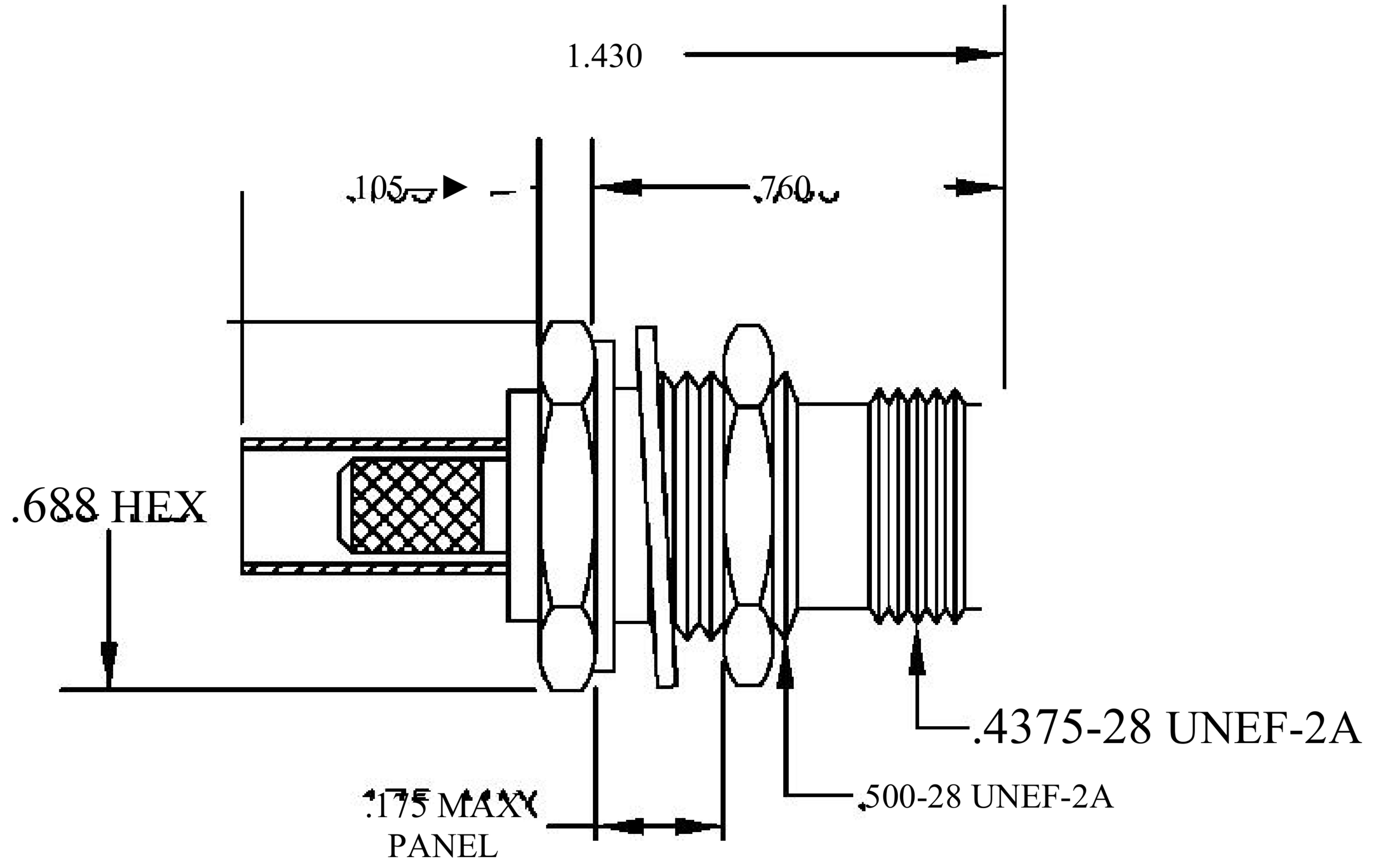


| MATERIALS | |
|-----------|---------------------|
| BODY | BRASS NICKEL PLATED |
| CONTACT | GOLD PLATED |
| INSULATOR | PTFE |
| | |



MOUNTING HOLE

.600

CRIMP SIZES REQUIRED

CONTACT: .068^M HEX CRIMP TOOL
 FERRULE: .213" HEX CRIMP TOOL



8th Floor, Building 1, Yongfu Science and Technology Center Industrial Park, Nanzha District 5, Humen, 523900, Dongguan, Guangdong, China.

Website: www.ebeestock.com
 Email: sales@ebeestock.com

COAXIAL & FIBER OPTICS

| | |
|----------------------|--|
| DWG TITLE ET11817 | DES_ rp-tnc-female-bulkhead-connector-crimp-solder-attachment-for-rg55-rg14-1-rg142-rg223-rg400-480-inch-d-hole-0011817 |
|----------------------|--|

SIZE A | **FSCM NO. 53919** | CAD FILE 073102 | SCALE N/A | 127

- NOTES:
- UNLESS OTHERWISE SPECIFIED ALL DIMENSIONS ARE NOMINAL.
 - ALL SPECIFICATIONS ARE SUBJECT TO CHANGE WITHOUT NOTICE AT ANY TIME.