



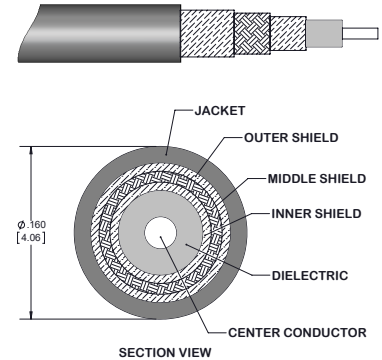
2.92mm Male to 2.92mm Female Test Cable 36 Inch Length Using Coax, RoHS

RF Cable Assemblies Technical Data Sheet

ET13595

Configuration

- Connector 1: 2.92mm Male
- Connector 2: 2.92mm Female



Electrical Specifications

Description	Minimum	Typical	Maximum	Units
Frequency Range	DC		40	GHz
VSWR			1.4:1	
Velocity of Propagation		78		%
RF Shielding	90			dB
Capacitance		26 [85.3]		pF/ft [pF/m]
Inductance		66 [216.54]		uH/ft [uH/m]

Specifications by Frequency

Description	F1	F2	F3	F4	F5	Units
Frequency	2.5	5	10	20	40	GHz
Insertion Loss (Max.)	0.74	1.05	1.56	2.26	3.4	dB
Insertion Loss (Typ.)	0.61	0.93	1.38	2.05	3.1	dB

Mechanical Specifications

Cable Assembly

Length*	36 in [914.4 mm]
Diameter	0.39 in [9.91 mm]



2.92mm Male to 2.92mm Female Test Cable 36 Inch Length Using Coax, RoHS

RF Cable Assemblies Technical Data Sheet

ET13595

Weight 0.162 lbs [73.48 g]

Cable

Cable Type
 Impedance 50 Ohms
 Inner Conductor Type Solid
 Inner Conductor Material and Plating Copper, Silver
 Dielectric Type PTFE
 Number of Shields 3
 Shield Layer 1 Silver Plated Copper
 Shield Layer 2 Aluminum Tape
 Shield Layer 3 Silver Plated Copper
 Jacket Material ETFE, Gray
 Jacket Diameter 0.16 in [4.06 mm]

One Time Minimum Bend Radius 0.8 in [20.32 mm]
 Typical Flex Cycles 10,000

Connectors

Description	Connector 1	Connector 2
Type	2.92mm Male	2.92mm Female
Specification		IEEE-STD-P287
Impedance	50 Ohms	50 Ohms
Contact Material and Plating	Beryllium Copper, Gold	Beryllium Copper, Gold
Contact Plating Specification	ASTM-B488 50µ In. Minimum	ASTM-B488 50µ In. Minimum
Dielectric Type	PEI	PTFE
Outer Conductor Material and Plating		Passivated Stainless Steel
Outer Conductor Plating Specification		SAE-AMS-2700
Body Material and Plating	Passivated Stainless Steel	Passivated Stainless Steel
Body Plating Specification	SAE-AMS-2700	SAE-AMS-2700
Coupling Nut Material and Plating	Passivated Stainless Steel	
Coupling Nut Plating Specification	SAE-AMS-2700	
Hex Size	5/16 Inch	
Torque	8 in-lbs [0.9 Nm]	

Mechanical Specification Notes:

*All cable assemblies have a length tolerance of 1.5% or $\pm 3/8"$, whichever is greater.

Environmental Specifications
Temperature

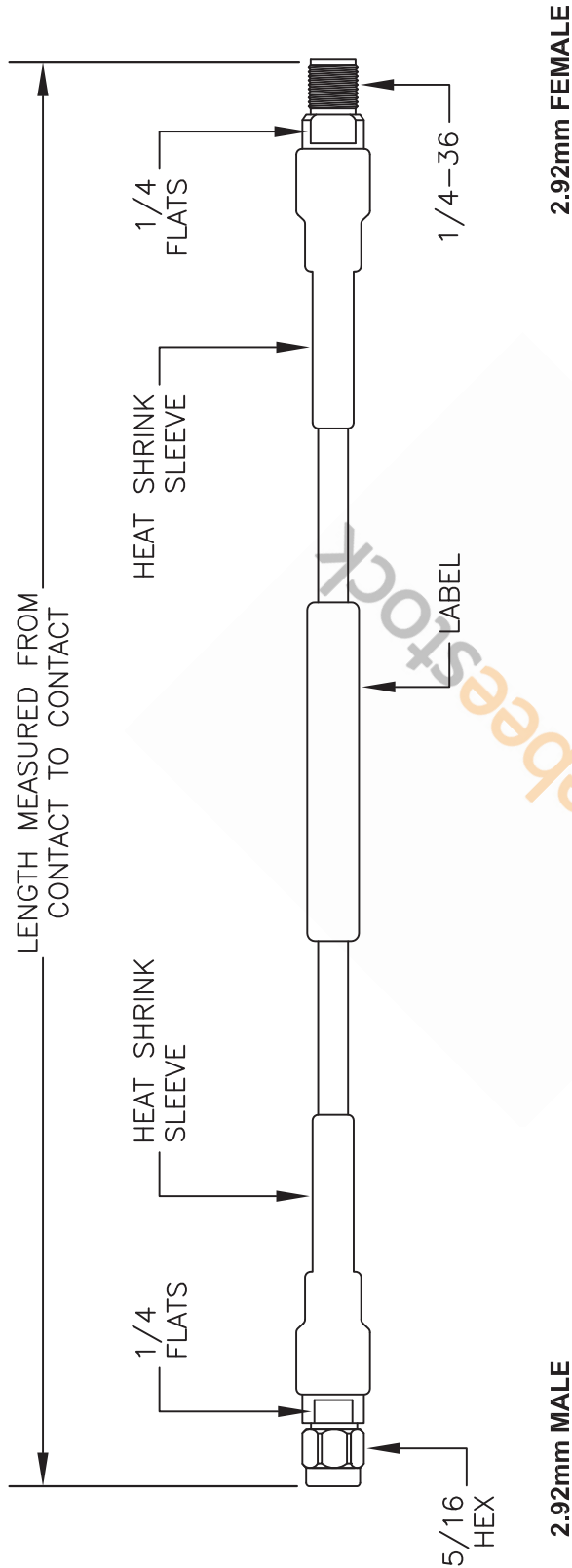
Operating Range -45 to +125 deg C

Plotted and Other Data
Notes:

- Values at 25°C, sea level.

ET13595 CAD Drawing

2.92mm Male to 2.92mm Female Test Cable 36 Inch Length Using Coax, RoHS



NOTE:
 LABEL FOR CABLE LENGTHS 48" OR SHORTER TO BE CENTERED. 48" OR LONGER WILL BE 12" AWAY FROM CONNECTOR.

- NOTES:**
1. UNLESS OTHERWISE SPECIFIED ALL DIMENSIONS ARE NOMINAL.
 2. ALL SPECIFICATIONS ARE SUBJECT TO CHANGE WITHOUT NOTICE AT ANY TIME.
 3. DIMENSIONS ARE IN INCHES [mm].
 4. LENGTH TOLERANCE IS $\pm 1.5\%$ OR $3/8"$, WHICHEVER IS GREATER.

DWG TITLE
ET13595

8TH FLOOR, BUILDING 1, YONGFU SCIENCE AND TECHNOLOGY
 CENTER INDUSTRIAL PARK, NANZHA DISTRICT 5,
 HUMEN, 523900, DONGGUAN, GUANGDONG, CHINA

WEBSITE: www.ebeestock.com
 EMAIL: sales@ebeestock.com



FSCM NO. 53919

CAD FILE 091713

SCALE N/A

SIZE A

2233