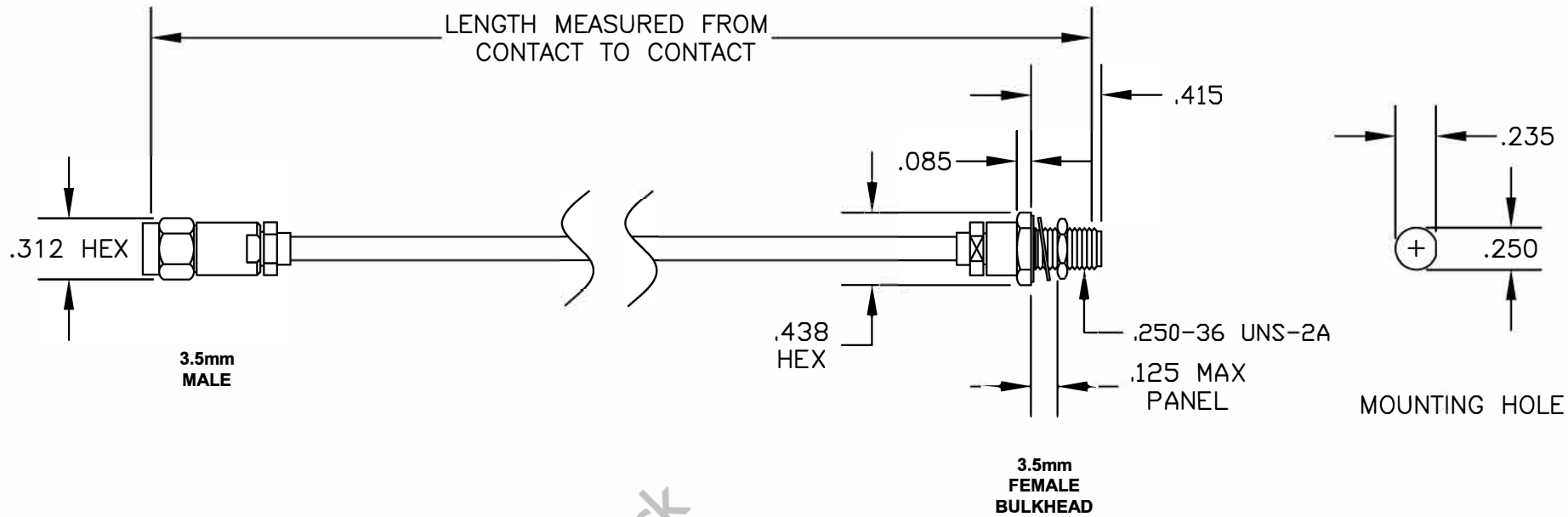


| COMPONENTS | IMPEDANCE |
|-----------------------|-----------|
| 3.5mm MALE | 50 OHM |
| 3.5mm FEMALE BULKHEAD | 50 OHM |
| | |
| | |

| Standard Lengths | |
|------------------|-------------------------|
| -12 | 12" |
| -24 | 24" |
| -36 | 36" |
| -48 | 48" |
| -60 | 60" |
| -XXX | Custom Length in inches |
| | |



8TH FLOOR, BUILDING 1, YONGFU SCIENCE AND TECHNOLOGY CENTER INDUSTRIAL PARK, NANZHA DISTRICT 5, HUMEN, 523900, DONGGUAN, GUANGDONG, CHINA

ebeestock WEBSITE: www.ebeestock.com EMAIL: sales@ebeestock.com

| | | | |
|-----------|--|----------------|-----------------|
| DWG TITLE | DES. CABLE ASSEMBLY, 3.5mm MALE TO 3.5mm FEMALE BULKHEAD | | |
| ET13832 | SIZE A | FSCM NO. 53919 | CAD FILE 082007 |
| | | | SCALE N/A |
| | | | 127 |

- NOTES:
- UNLESS OTHERWISE SPECIFIED ALL DIMENSIONS ARE NOMINAL.
 - ALL SPECIFICATIONS ARE SUBJECT TO CHANGE WITHOUT NOTICE AT ANY TIME.
 - DIMENSIONS ARE IN INCHES.
 - LENGTH TOLERANCE IS $\pm 1.5\%$ OR $\pm 3/8"$, WHICHEVER IS GREATER.