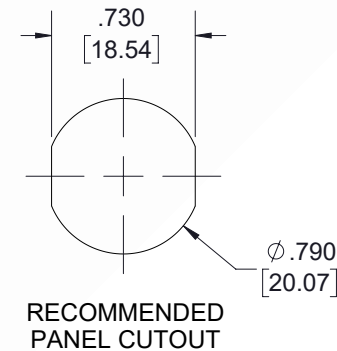
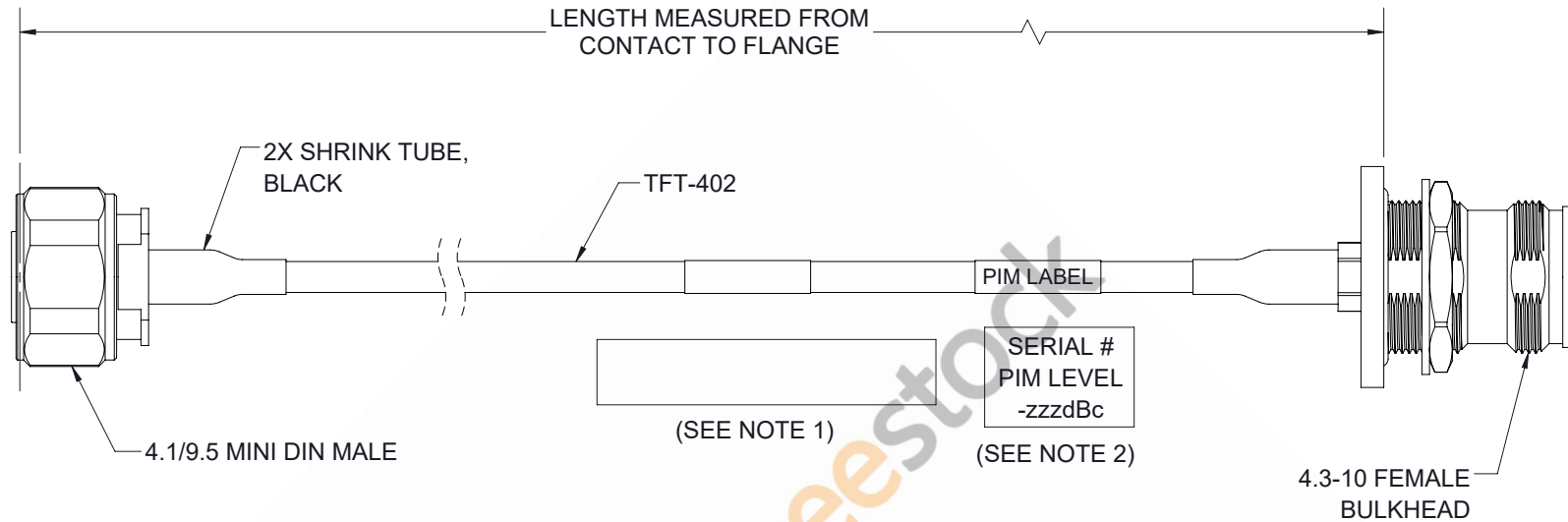


4.1/9.5 Mini DIN Male to 4.3-10 Female Bulkhead Low PIM Cable 60 Inch Length Using TFT-402 Coax Using Times Microwave Components

| REVISIONS | | | |
|-----------|-----------------|---------|----------|
| REV. | DESCRIPTION | DATE | APPROVED |
| A | INITIAL RELEASE | 7/30/21 | SRAUTUS |



NOTES:

- CABLES 84" AND UNDER HAVE 1 LABEL CENTERED. CABLES OVER 84" HAVE 2 LABELS, ONE AT EACH END 12" FROM THE FRONT OF THE CONNECTOR.
- PIM LABEL 6" FROM CABLE END 1 PLACE.

THESE COMMODITIES, TECHNOLOGY OR SOFTWARE WERE EXPORTED FROM THE UNITED STATES IN ACCORDANCE WITH THE EXPORT ADMINISTRATION REGULATIONS. DIVERSION CONTRARY TO U.S. LAW PROHIBITED.

UNLESS OTHERWISE SPECIFIED LEADING DIMENSIONS ARE INCHES DIMENSIONS IN [] ARE MILLIMETERS

TOLERANCES:

| | | | |
|---|--------|-----------|--------|
| .X = ±.2 | [5.08] | FRACTIONS | ± 1/32 |
| .XX = ±.02 | [.51] | ANGLES | ± 1° |
| .XXX = ±.005 | [.13] | | |
| CABLE LENGTH (L) TOLERANCES: | | | |
| L ≤ 12 [305] = +1 [25] / -0 | | | |
| 12 [305] < L ≤ 60 [1524] = +2 [51] / -0 | | | |
| 60 [1524] < L ≤ 120 [3048] = +4 [102] / -0 | | | |
| 120 [3048] < L ≤ 300 [7620] = +6 [152] / -0 | | | |
| 300 [7620] < L = +5%L / -0 | | | |

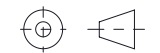
ALL DIMENSIONS SHOWN ARE FOR REFERENCE ONLY.



8TH FLOOR, BUILDING 1,
YONGFU SCIENCE AND TECHNOLOGY
CENTER INDUSTRIAL PARK, NANZHA DISTRICT
5, HUMEN, 523900, DONGGUAN, GUANGDONG, CHINA

WEBSITE: www.ebeestock.com
EMAIL: sales@ebeestock.com

THIRD-ANGLE PROJECTION



THE INFORMATION AND DESIGN IN THIS DOCUMENT IS THE PROPERTY OF EBEESTOCK CORPORATION. ALL RIGHTS RESERVED.

SHEET 1 OF 1

SCALE N/A

| SIZE | CAGE CODE | DRAWN BY | ITEM NO. | REV |
|------|-----------|----------|----------|-----|
| A | 53919 | DMAY | ET14242 | A |