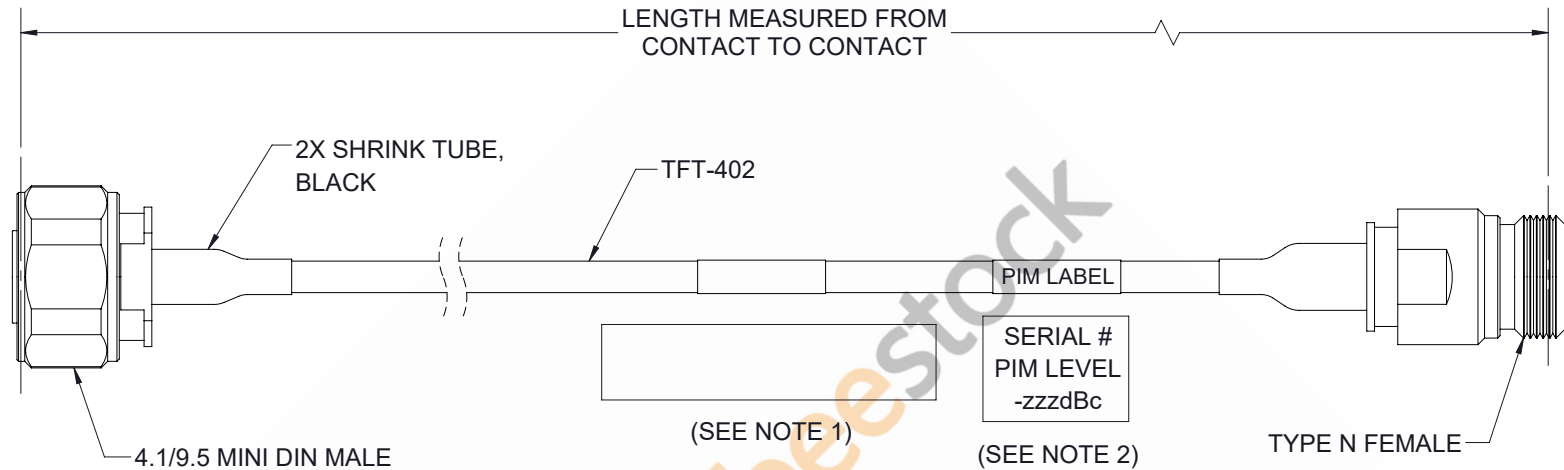


4.1/9.5 Mini DIN Male to N Female Low PIM Cable 12 Inch Length Using TFT-402 Coax Using Times Microwave Components

REVISIONS			
REV.	DESCRIPTION	DATE	APPROVED
A	INITIAL RELEASE	7/30/21	SRAUTUS



NOTES:

1. CABLES 84" AND UNDER HAVE 1 LABEL CENTERED. CABLES OVER 84" HAVE 2 LABELS, ONE AT EACH END 12" FROM THE FRONT OF THE CONNECTOR.
2. PIM LABEL 6" FROM CABLE END 1 PLACE.

THESE COMMODITIES, TECHNOLOGY OR SOFTWARE WERE EXPORTED FROM THE UNITED STATES IN ACCORDANCE WITH THE EXPORT ADMINISTRATION REGULATIONS. DIVERSION CONTRARY TO U.S. LAW PROHIBITED.

<p>UNLESS OTHERWISE SPECIFIED LEADING DIMENSIONS ARE INCHES DIMENSIONS IN [] ARE MILLIMETERS</p> <p>TOLERANCES:</p> <table border="0"> <tr> <td>.X = ±.2 [5.08]</td> <td>FRACTIONS ± 1/32</td> </tr> <tr> <td>.XX = ±.02 [.51]</td> <td>ANGLES ± 1°</td> </tr> <tr> <td>.XXX = ±.005 [.13]</td> <td></td> </tr> </table> <p>CABLE LENGTH (L) TOLERANCES:</p> <table border="0"> <tr> <td>L ≤ 12 [305] = +1 [25] / -0</td> </tr> <tr> <td>12 [305] < L ≤ 60 [1524] = +2 [51] / -0</td> </tr> <tr> <td>60 [1524] < L ≤ 120 [3048] = +4 [102] / -0</td> </tr> <tr> <td>120 [3048] < L ≤ 300 [7620] = +6 [152] / -0</td> </tr> <tr> <td>300 [7620] < L = +5%L / -0</td> </tr> </table> <p>ALL DIMENSIONS SHOWN ARE FOR REFERENCE ONLY.</p>		.X = ±.2 [5.08]	FRACTIONS ± 1/32	.XX = ±.02 [.51]	ANGLES ± 1°	.XXX = ±.005 [.13]		L ≤ 12 [305] = +1 [25] / -0	12 [305] < L ≤ 60 [1524] = +2 [51] / -0	60 [1524] < L ≤ 120 [3048] = +4 [102] / -0	120 [3048] < L ≤ 300 [7620] = +6 [152] / -0	300 [7620] < L = +5%L / -0	<p>ebeestock</p> <p>8TH FLOOR, BUILDING 1, YONGFU SCIENCE AND TECHNOLOGY CENTER INDUSTRIAL PARK, NANZHA DISTRICT 5, HUMEN, 523900, DONGGUAN, GUANGDONG, CHINA</p> <p>WEBSITE: www.ebeestock.com EMAIL: sales@ebeestock.com</p>		<p>THIRD-ANGLE PROJECTION</p> <p>THE INFORMATION AND DESIGN IN THIS DOCUMENT IS THE PROPERTY OF EBEESTOCK CORPORATION. ALL RIGHTS RESERVED.</p>
.X = ±.2 [5.08]	FRACTIONS ± 1/32														
.XX = ±.02 [.51]	ANGLES ± 1°														
.XXX = ±.005 [.13]															
L ≤ 12 [305] = +1 [25] / -0															
12 [305] < L ≤ 60 [1524] = +2 [51] / -0															
60 [1524] < L ≤ 120 [3048] = +4 [102] / -0															
120 [3048] < L ≤ 300 [7620] = +6 [152] / -0															
300 [7620] < L = +5%L / -0															
SIZE	CAGE CODE	DRAWN BY	ITEM NO.	REV											
A	53919	DMAY	ET14346	A											
SHEET 1 OF 1			SCALE N/A												