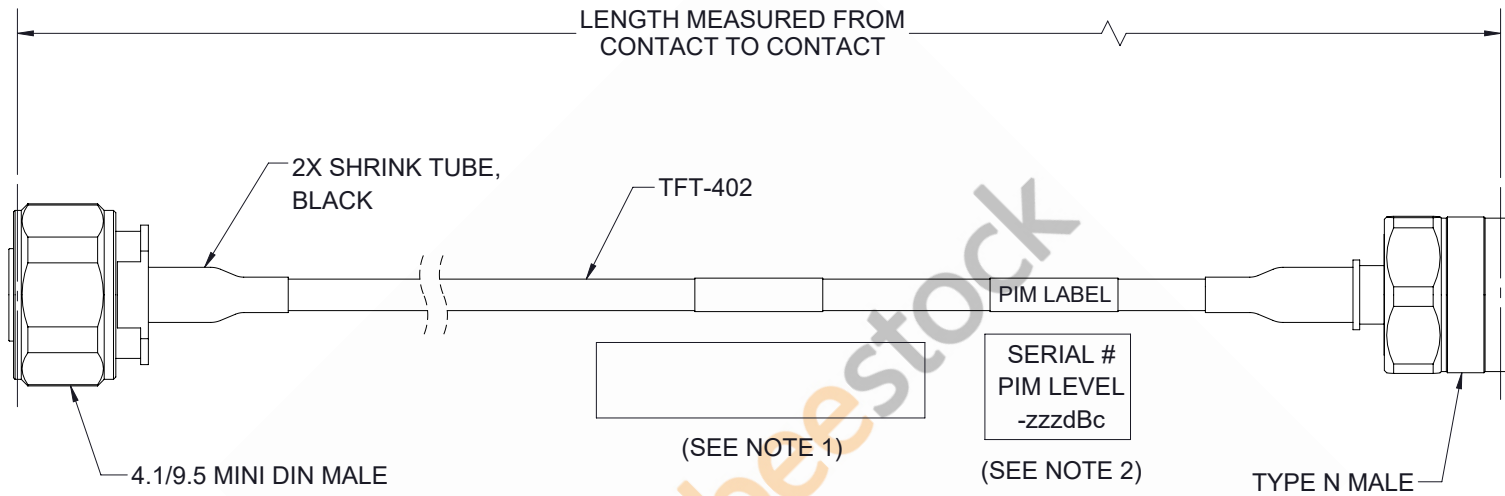


4.1/9.5 Mini DIN Male to N Male Low PIM Cable 36 Inch Length Using TFT-402 Coax Using Times Microwave Components

| REVISIONS | | | |
|-----------|-----------------|---------|----------|
| REV. | DESCRIPTION | DATE | APPROVED |
| A | INITIAL RELEASE | 7/30/21 | SRAUTUS |



NOTES:

1. CABLES 84" AND UNDER HAVE 1 LABEL CENTERED. CABLES OVER 84" HAVE 2 LABELS, ONE AT EACH END 12" FROM THE FRONT OF THE CONNECTOR.
2. PIM LABEL 6" FROM CABLE END 1 PLACE.

THESE COMMODITIES, TECHNOLOGY OR SOFTWARE WERE EXPORTED FROM THE UNITED STATES IN ACCORDANCE WITH THE EXPORT ADMINISTRATION REGULATIONS. DIVERSION CONTRARY TO U.S. LAW PROHIBITED.

| | | | | | | | | | | | | | | | |
|---|------------------|-----------------|------------------|------------------|----------|--------------------|-------------|-----------------------------|---|--|---|--------------------------------------|---|--|---|
| <p>UNLESS OTHERWISE SPECIFIED LEADING DIMENSIONS ARE INCHES DIMENSIONS IN [] ARE MILLIMETERS</p> <p>TOLERANCES:</p> <table border="0"> <tr> <td>.X = ±.2 [5.08]</td> <td>FRACTIONS ± 1/32</td> </tr> <tr> <td>.XX = ±.02 [.51]</td> <td>± 1/32</td> </tr> <tr> <td>.XXX = ±.005 [.13]</td> <td>ANGLES ± 1°</td> </tr> </table> <p>CABLE LENGTH (L) TOLERANCES:</p> <table border="0"> <tr> <td>L ≤ 12 [305] = +1 [25] / -0</td> </tr> <tr> <td>12 [305] < L ≤ 60 [1524] = +2 [51] / -0</td> </tr> <tr> <td>60 [1524] < L ≤ 120 [3048] = +4 [102] / -0</td> </tr> <tr> <td>120 [3048] < L ≤ 300 [7620] = +6 [152] / -0</td> </tr> <tr> <td>300 [7620] < L = +5%L / -0</td> </tr> </table> <p>ALL DIMENSIONS SHOWN ARE FOR REFERENCE ONLY.</p> | | .X = ±.2 [5.08] | FRACTIONS ± 1/32 | .XX = ±.02 [.51] | ± 1/32 | .XXX = ±.005 [.13] | ANGLES ± 1° | L ≤ 12 [305] = +1 [25] / -0 | 12 [305] < L ≤ 60 [1524] = +2 [51] / -0 | 60 [1524] < L ≤ 120 [3048] = +4 [102] / -0 | 120 [3048] < L ≤ 300 [7620] = +6 [152] / -0 | 300 [7620] < L = +5%L / -0 |  <p>8TH FLOOR, BUILDING 1, YONGFU SCIENCE AND TECHNOLOGY CENTER INDUSTRIAL PARK, NANZHA DISTRICT 5, HUMEN, 523900, DONGGUAN, GUANGDONG, CHINA</p> <p>WEBSITE: www.ebeestock.com EMAIL: sales@ebeestock.com</p> | | <p>THIRD-ANGLE PROJECTION</p>  <p>THE INFORMATION AND DESIGN IN THIS DOCUMENT IS THE PROPERTY OF EBEESTOCK CORPORATION. ALL RIGHTS RESERVED.</p> |
| .X = ±.2 [5.08] | FRACTIONS ± 1/32 | | | | | | | | | | | | | | |
| .XX = ±.02 [.51] | ± 1/32 | | | | | | | | | | | | | | |
| .XXX = ±.005 [.13] | ANGLES ± 1° | | | | | | | | | | | | | | |
| L ≤ 12 [305] = +1 [25] / -0 | | | | | | | | | | | | | | | |
| 12 [305] < L ≤ 60 [1524] = +2 [51] / -0 | | | | | | | | | | | | | | | |
| 60 [1524] < L ≤ 120 [3048] = +4 [102] / -0 | | | | | | | | | | | | | | | |
| 120 [3048] < L ≤ 300 [7620] = +6 [152] / -0 | | | | | | | | | | | | | | | |
| 300 [7620] < L = +5%L / -0 | | | | | | | | | | | | | | | |
| <p>SIZE</p> <table border="1"> <tr> <td>A</td> <td>CAGE CODE</td> <td>DRAWN BY</td> <td>ITEM NO.</td> <td>REV</td> </tr> <tr> <td>A</td> <td>53919</td> <td>DMAY</td> <td>ET14366</td> <td>A</td> </tr> </table> | | A | CAGE CODE | DRAWN BY | ITEM NO. | REV | A | 53919 | DMAY | ET14366 | A | <p>SHEET 1 OF 1</p> <p>SCALE N/A</p> | | | |
| A | CAGE CODE | DRAWN BY | ITEM NO. | REV | | | | | | | | | | | |
| A | 53919 | DMAY | ET14366 | A | | | | | | | | | | | |